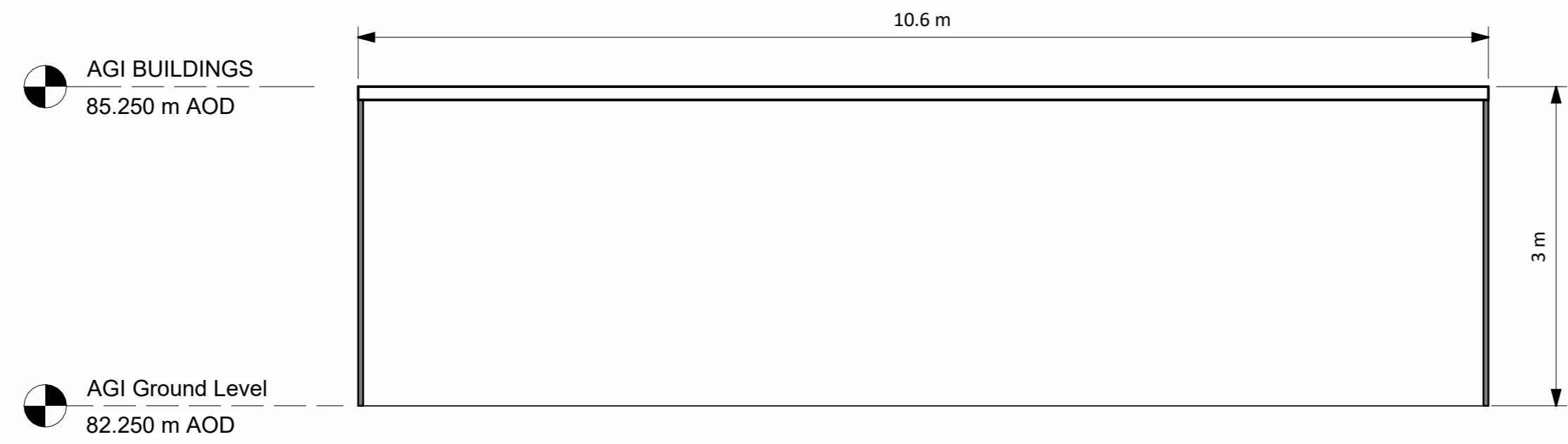
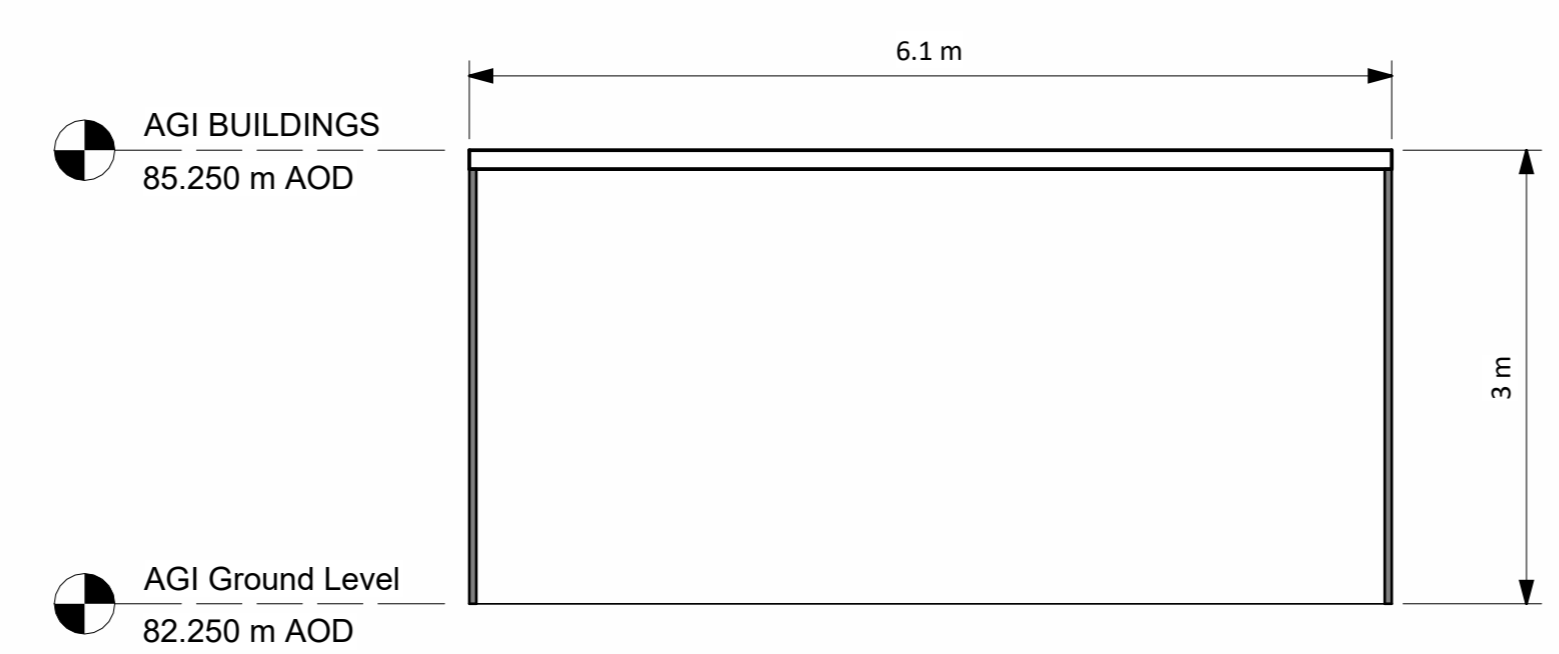


Key Plan
1 : 6000

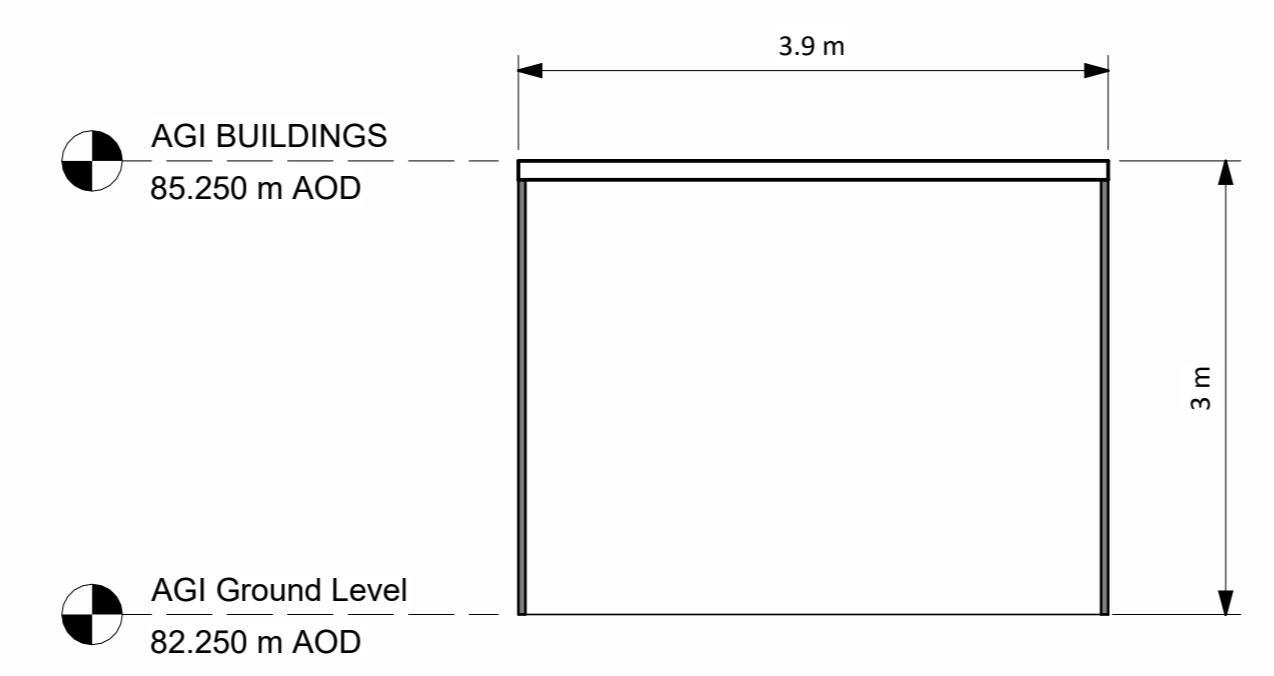
- NOTES:
- Building colours will range within a muted mid-dark grey and green spectrum. Refer to EIAI Vol. II, Appendix 10A for detail
 - Final detail of building finishes to be agreed with planning authority in advance of development commencing



1 AGI Boiler Kiosk
1 : 50



2 AGI Instrument Kiosk
1 : 50



3 AGI Regulator Building
1 : 50



R1.0	FOR PLANNING	DTW	AO1	BAB	26.01.24
REV.	DETAILS OF REVISION	DRAWN	CHKD	APR	DATE

FICHTNER
CONSULTING ENGINEERS LIMITED
7 Sir John Rogerson's Quay, Block C,
Grand Canal Docklands,
Dublin 2, D02 VK60
Tel: +353 (1) 506 0632
Website: www.fichtner.ie

CLIENT: **Bord na Móna Powergen Limited**

SITE:

PROJECT: **Derrygreenagh Power**

TITLE: **GAS PLANT AGI BUILDINGS SECTIONS**

DRAWING STATUS: For Planning

DRAWN BY:	DTW	DATE:	26.01.24
CHECKED BY:	AO1	DATE:	26.01.24
APPROVED BY:	BAB	DATE:	26.01.24

FILENAME: OFFICE OF ISSUE: DUBLIN
SHEET SIZE: A1 SCALE: 1:50
DRAWING No.: **S7060-8050-0011** REVISION: **R1.0**