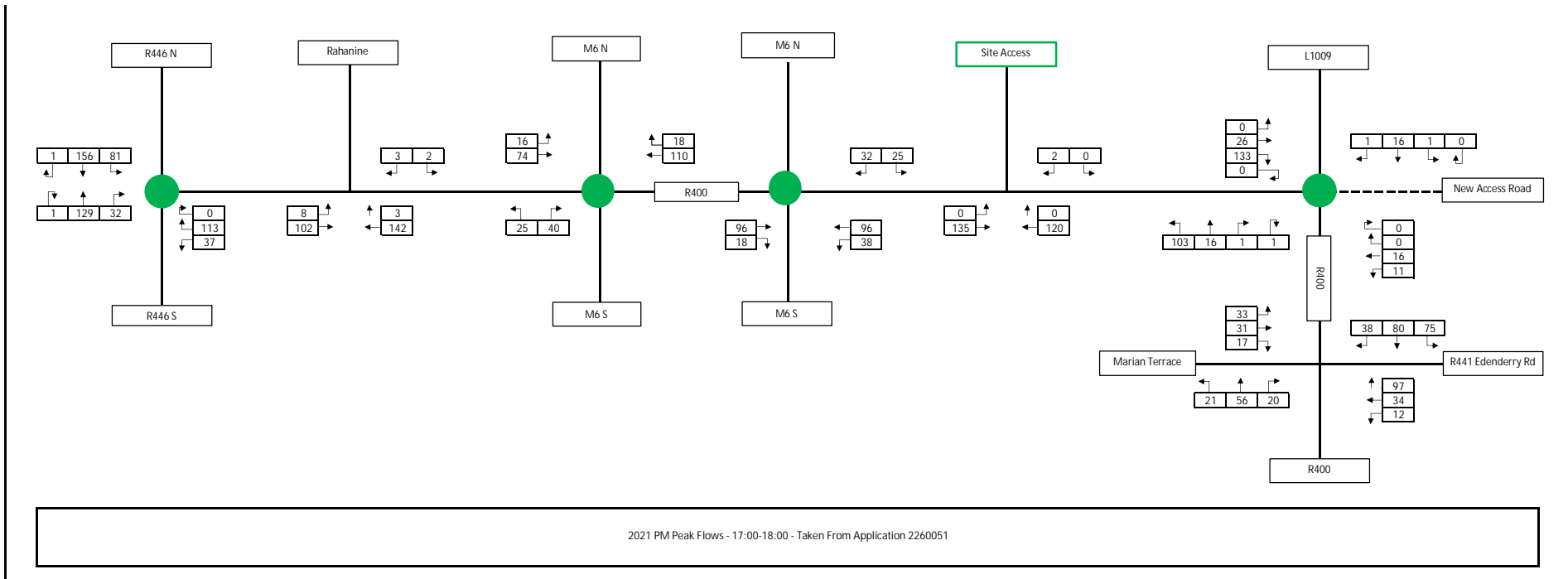


Appendix 14C

Traffic Flow Diagrams

[THIS PAGE INTENTIONALLY LEFT BLANK]

Base Flows



R446 N

Rahanine

M6 N

M6 N

Site Access

L1009

1 156 81

3 2

16 74

18 110

32 25

2 0

0 26 133 0

1 16 1 0

1 129 32

8 102

3 142

25 40

R400

96 18

96 38

0 135

0 120

103 16 1 1

0 0 16 11

R446 S

0 113 37

M6 S

M6 S

R400

Marian Terrace

33 31 17

38 80 75

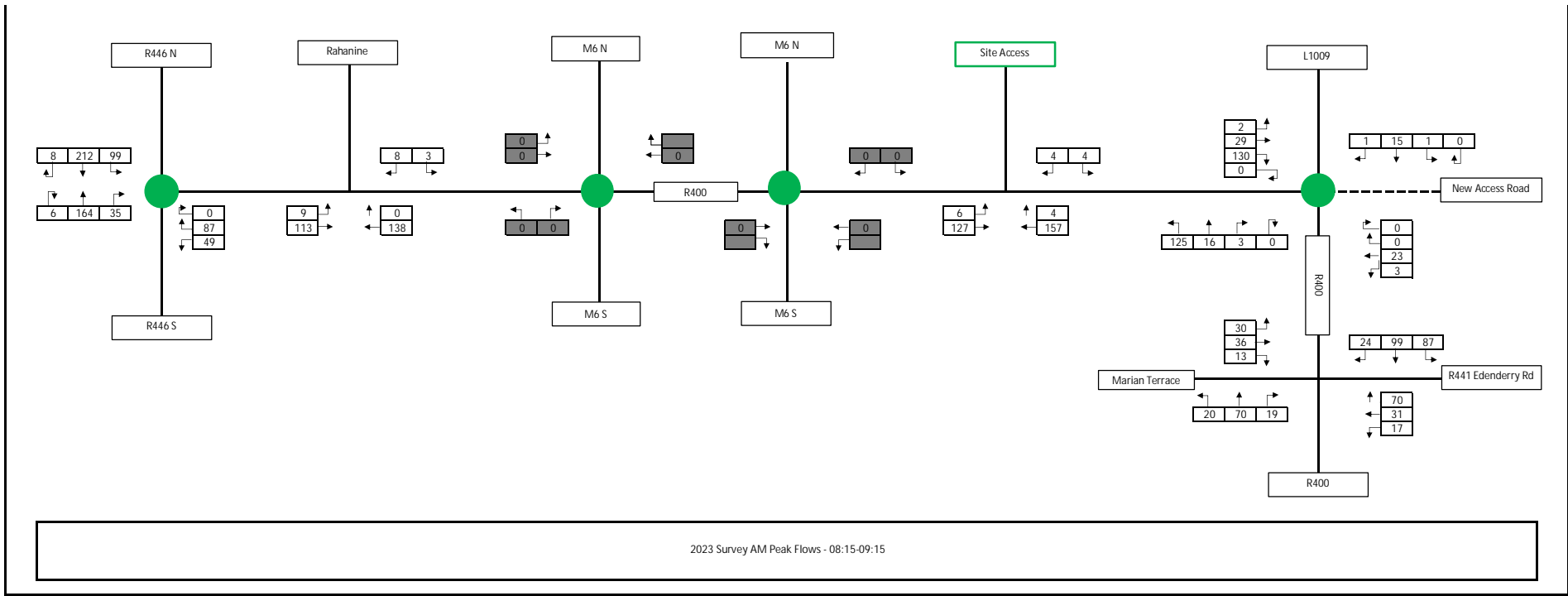
21 56 20

97 34 12

New Access Road

R441 Edenderry Rd

R400



R446 N

Rahanine

M6 N

M6 N

Site Access

L1009

8 212 99

8 3

0 0

0 0

0 0

4 4

2 29 130 0

1 15 1 0

6 164 35

0 87 49

9 113

0 138

0 0

0 0

6 127

4 157

125 16 3 0

0 0 23 3

R446 S

M6 S

M6 S

R400

L1009

New Access Road

R400

Marian Terrace

R441 Edenderry Rd

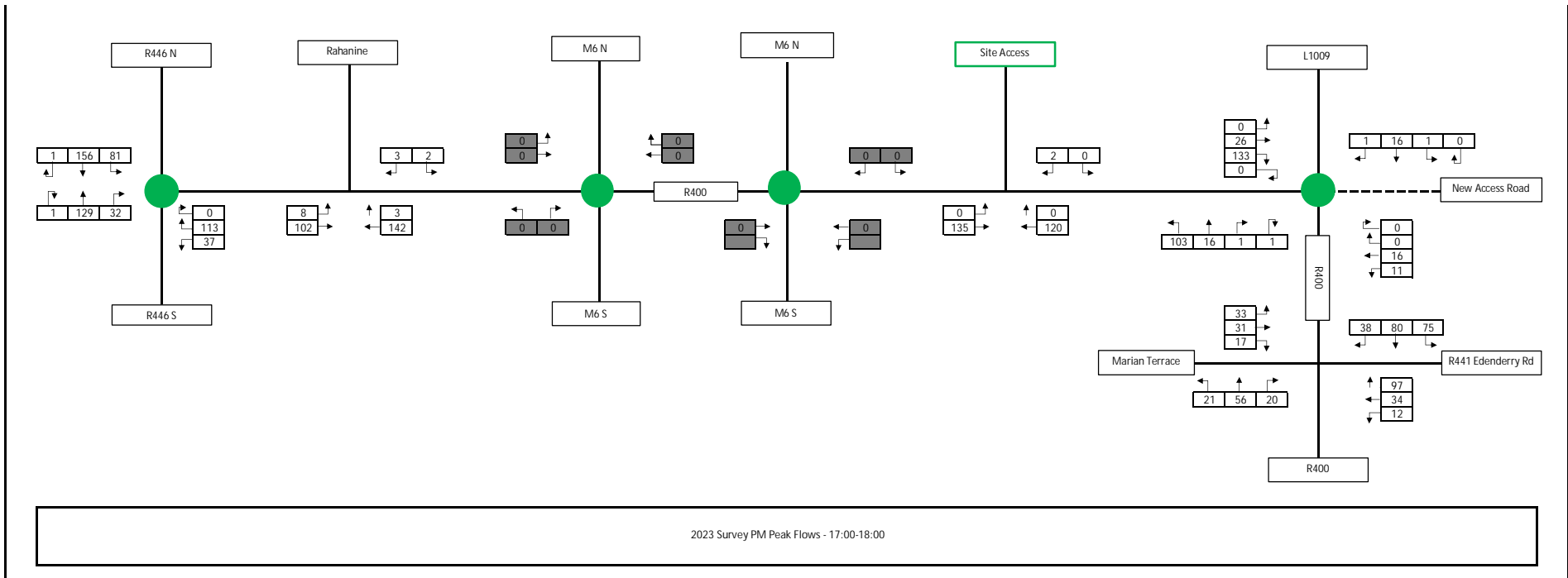
R400

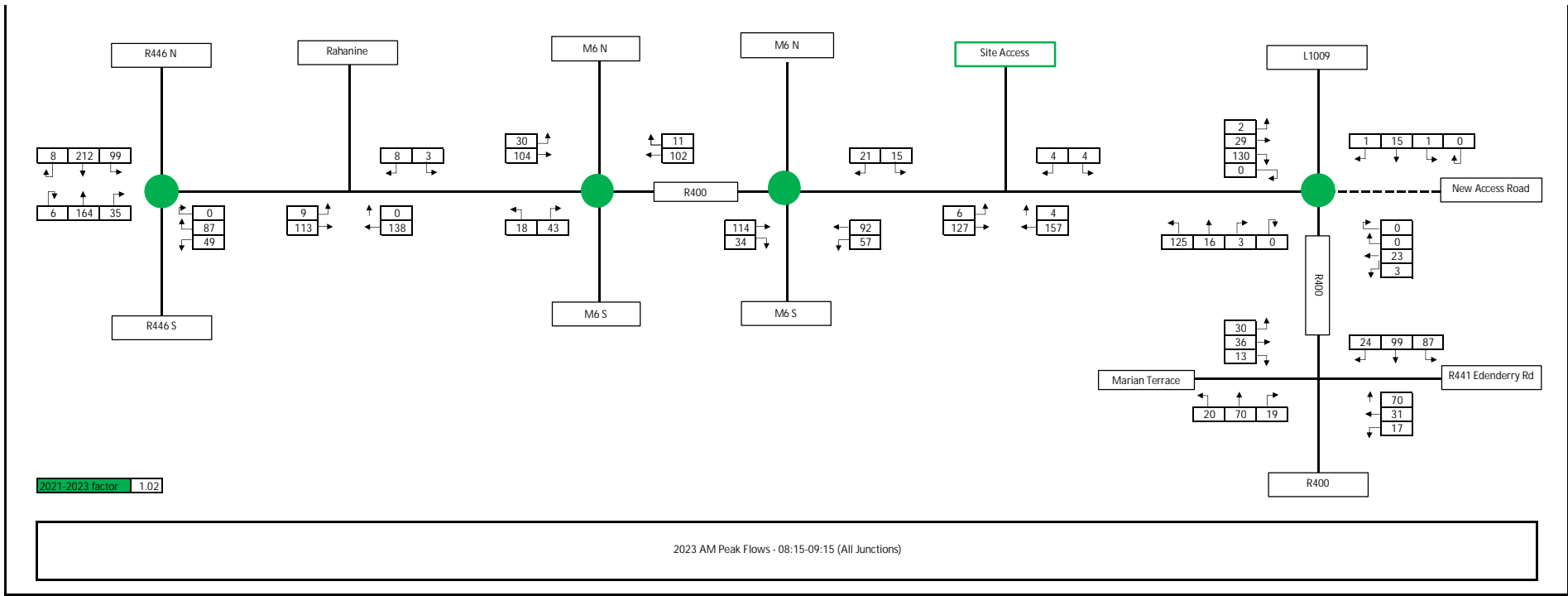
30 36 13

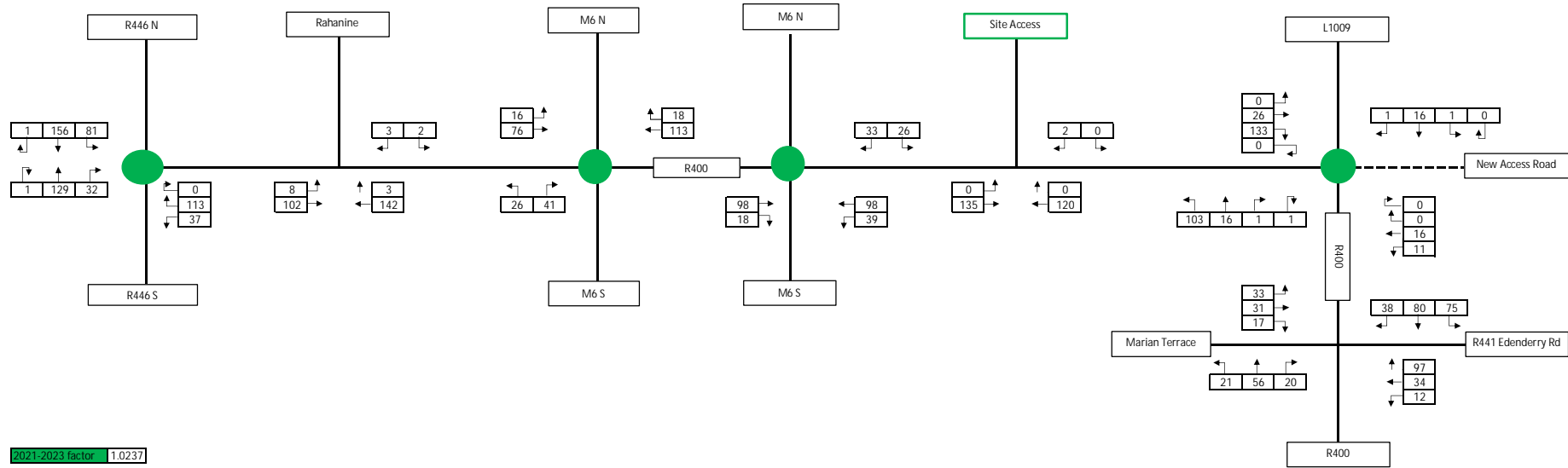
24 99 87

20 70 19

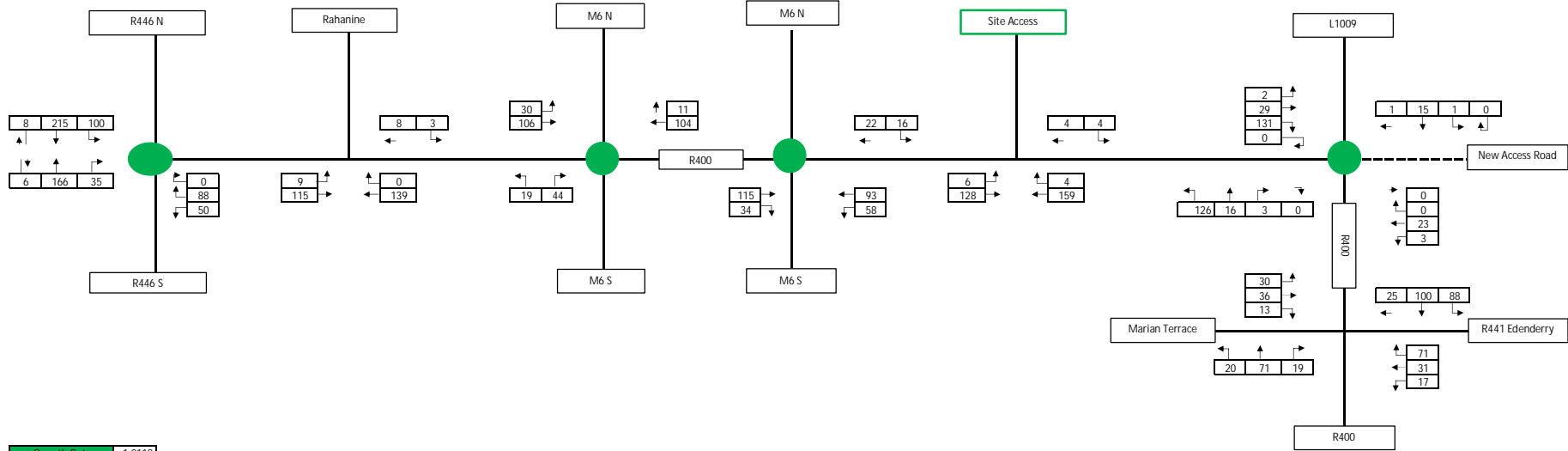
70 31 17





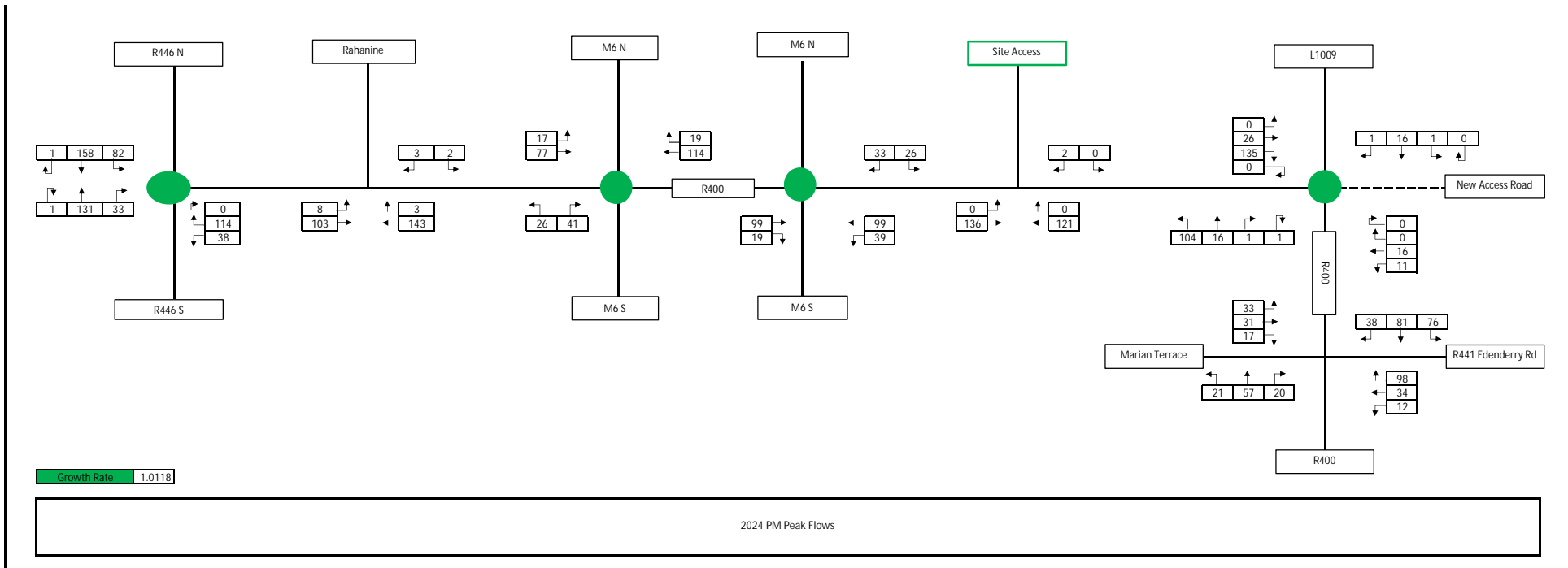


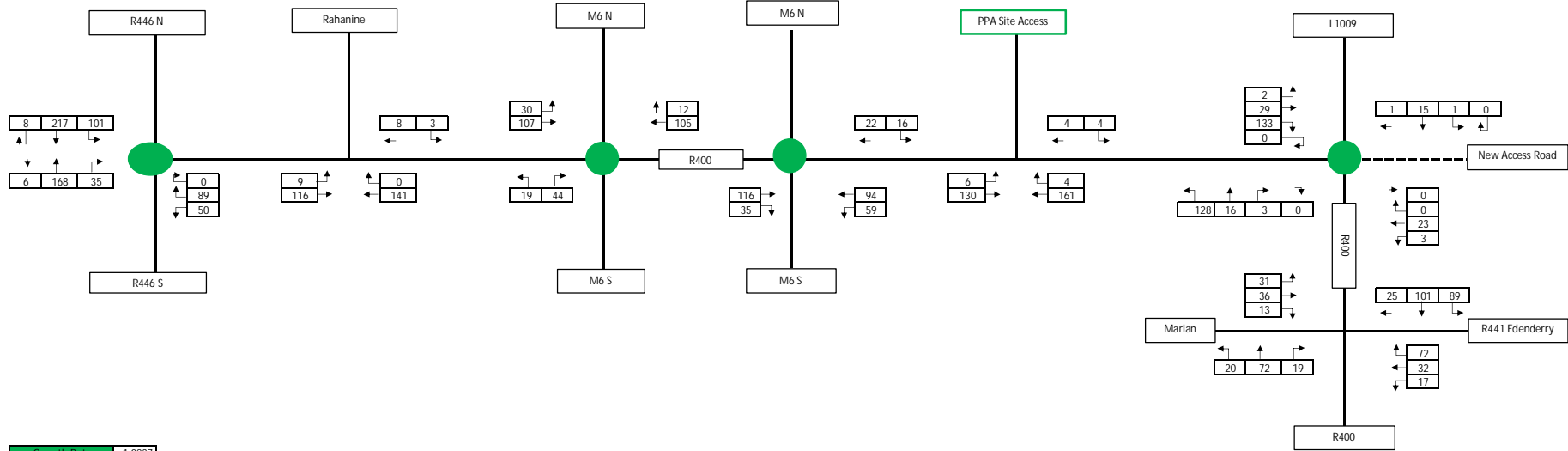
2023 PM Peak Flows - 17:00-18:00 (All Junctions)



Growth Rate 1.0118

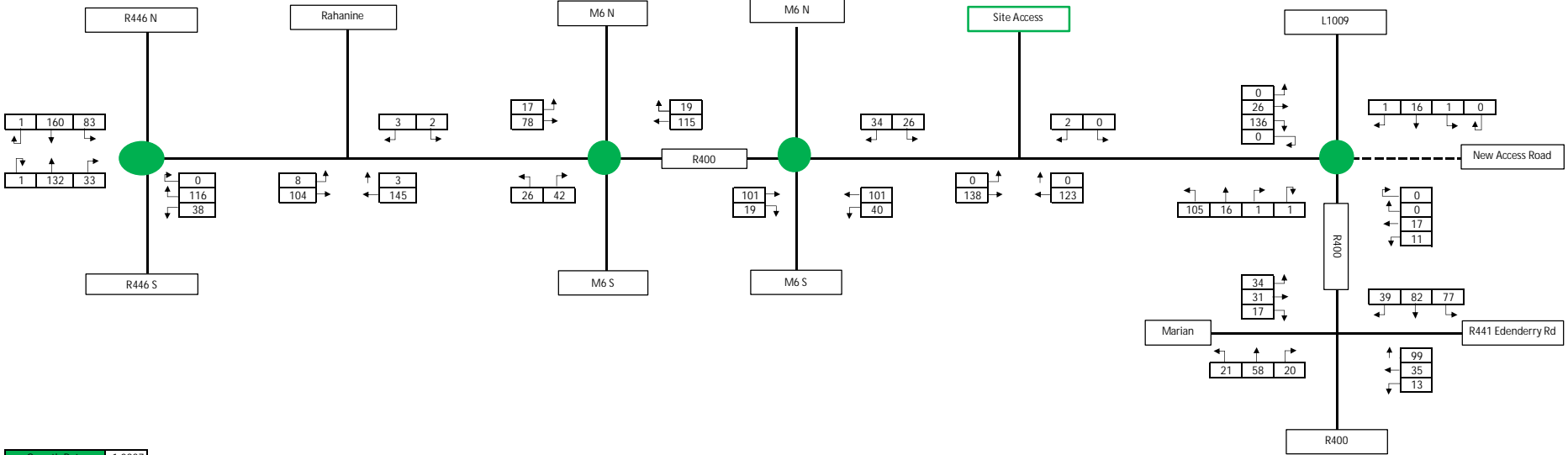
2024 AM Peak Flows





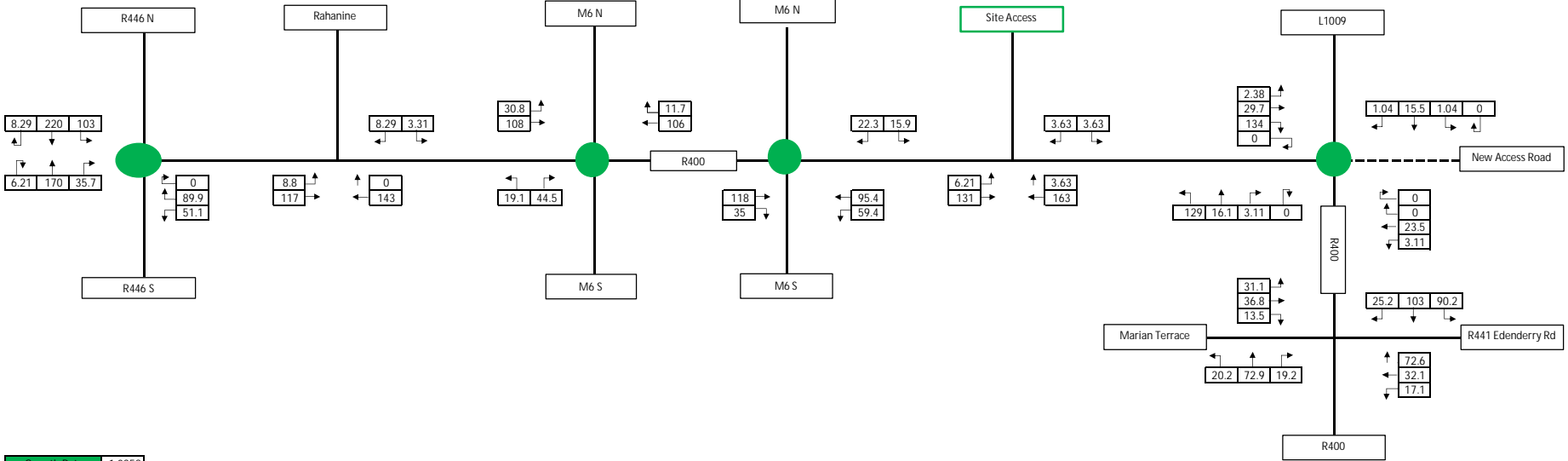
Growth Rate 1.0237

2025 AM Peak Flows



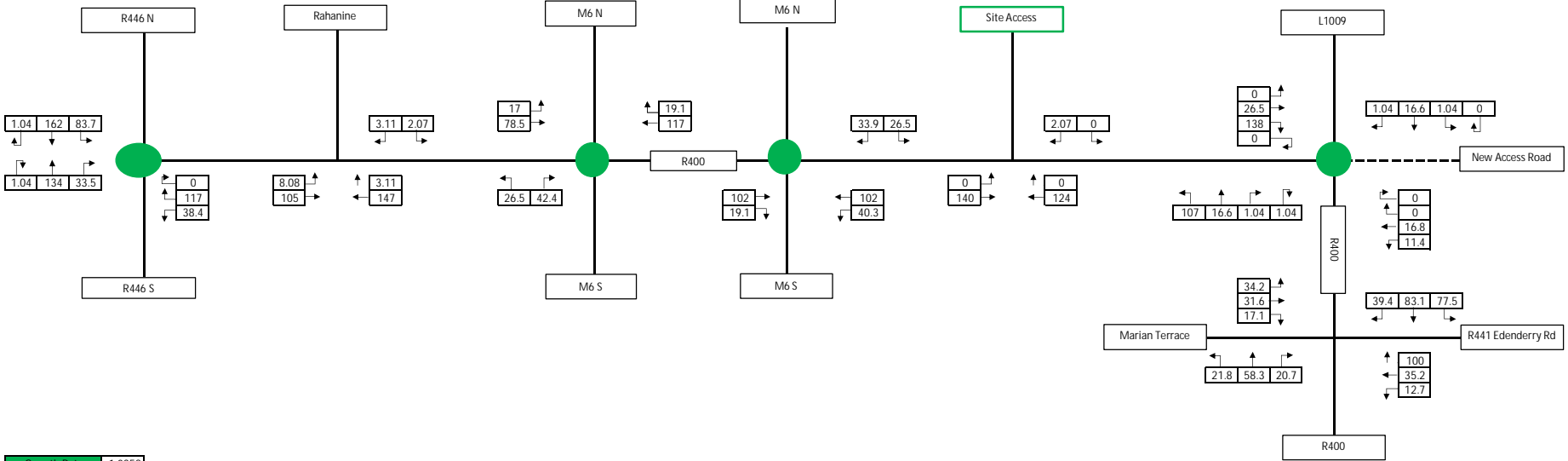
Growth Rate: 1.0237

2025 PM Peak Flows



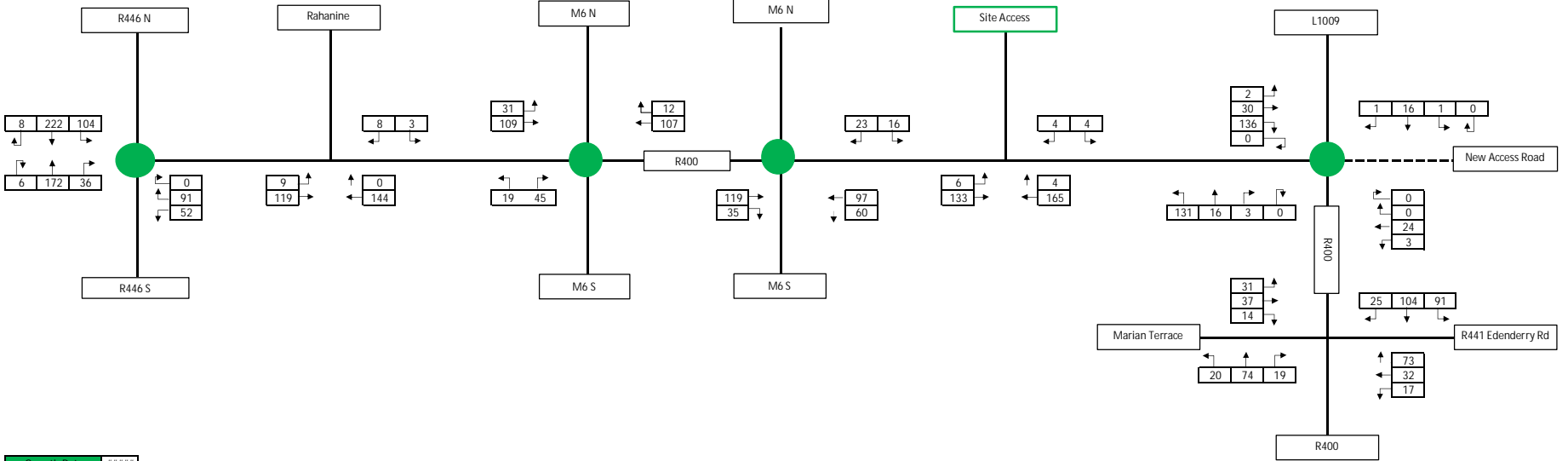
Growth Rate 1.0358

2026 AM Peak Flows



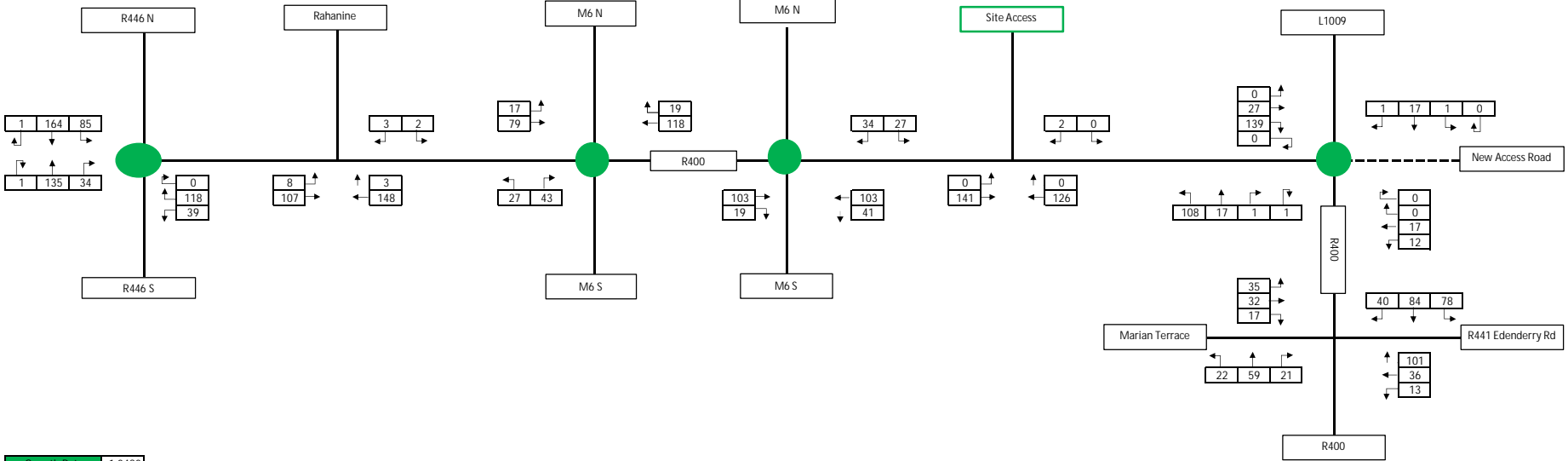
Growth Rate 1.0358

2026 PM Peak Flows



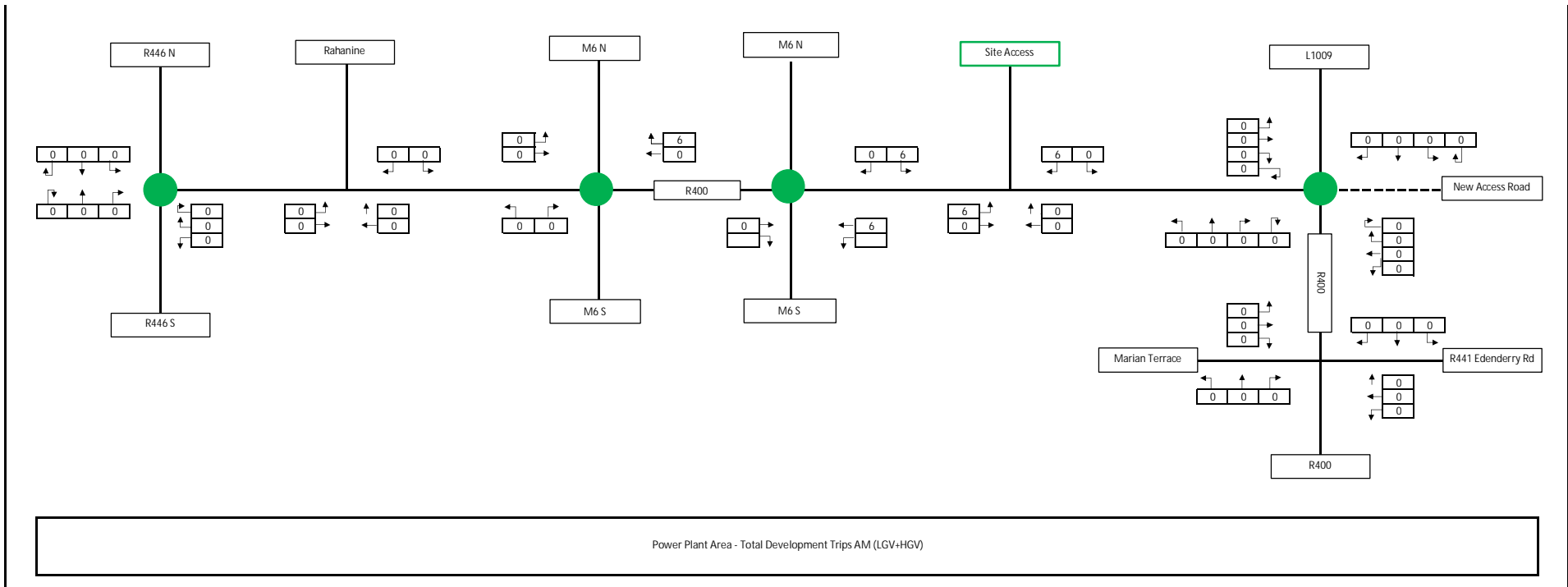
Growth Rate ####

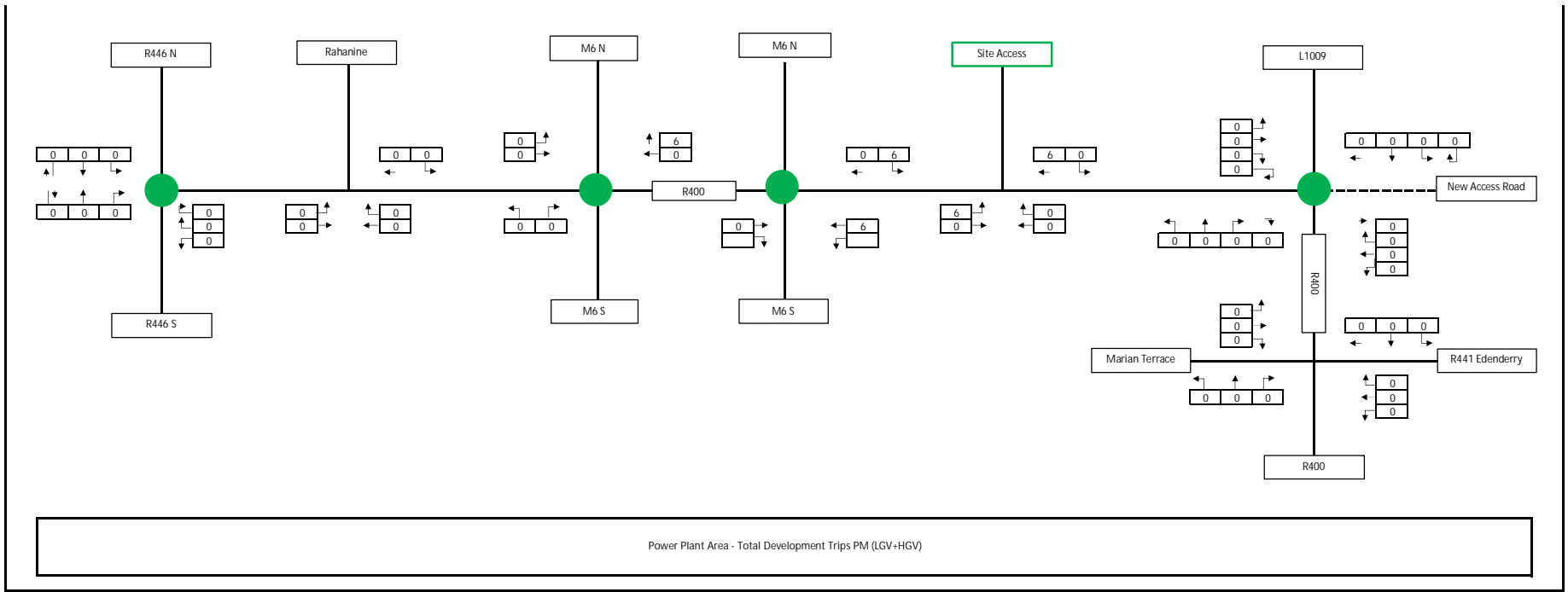
2027 AM Peak Flows

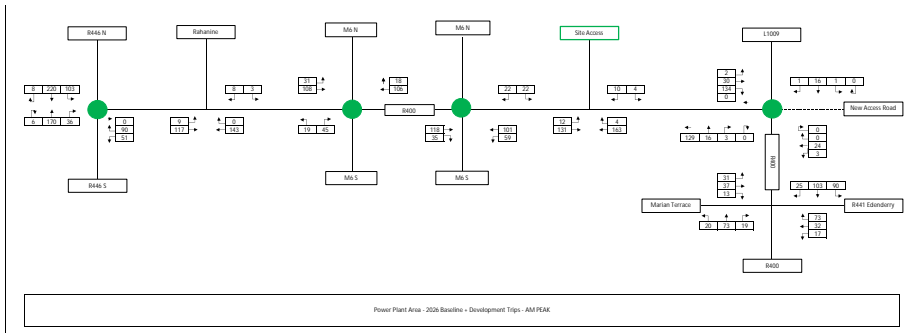


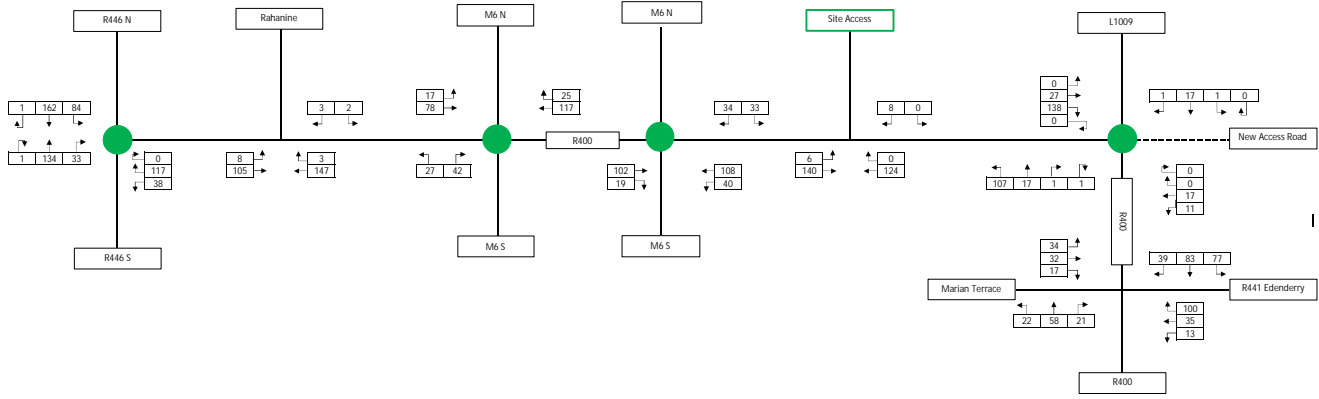
2027 PM Peak Flows

Power Plant Area Trips



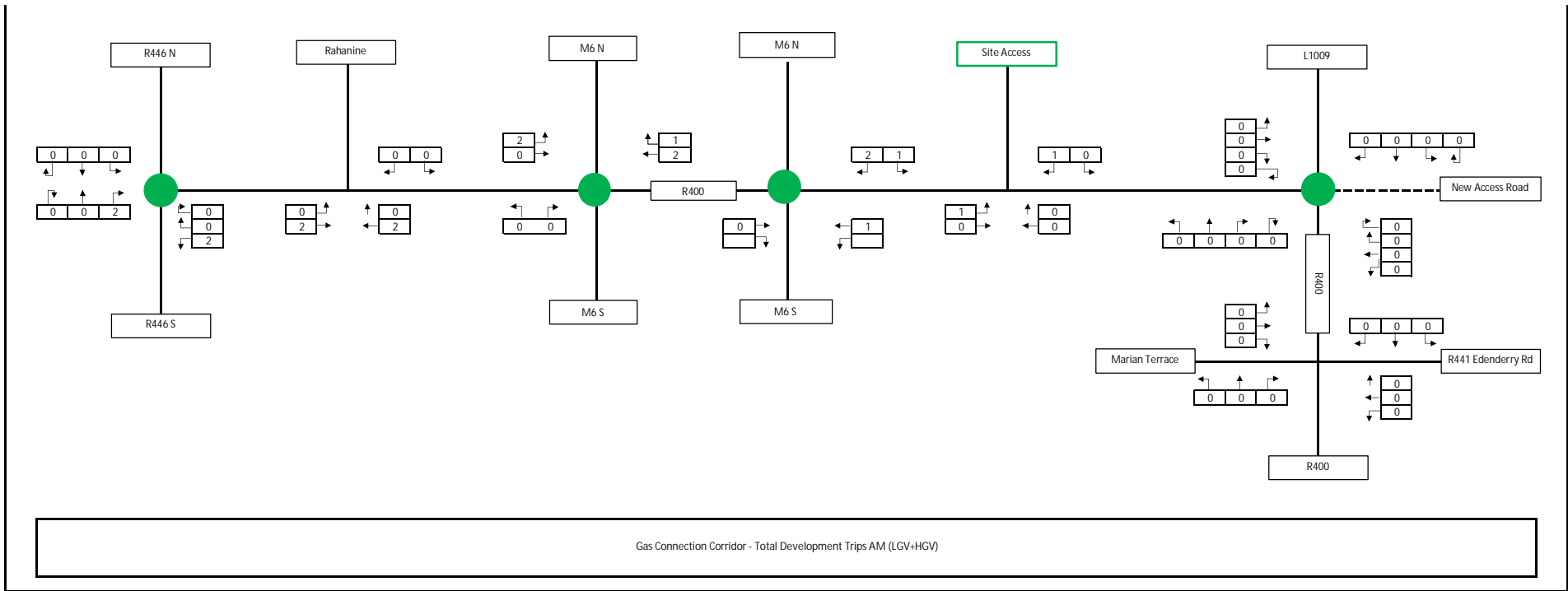


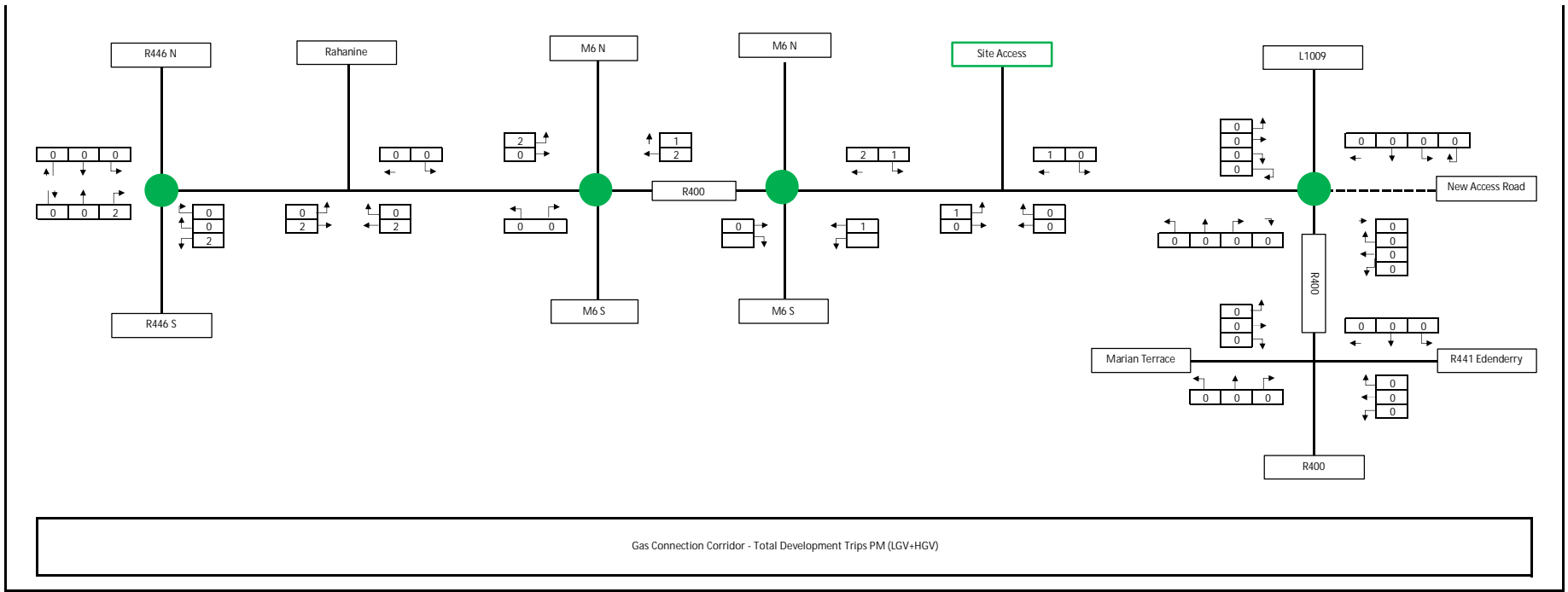


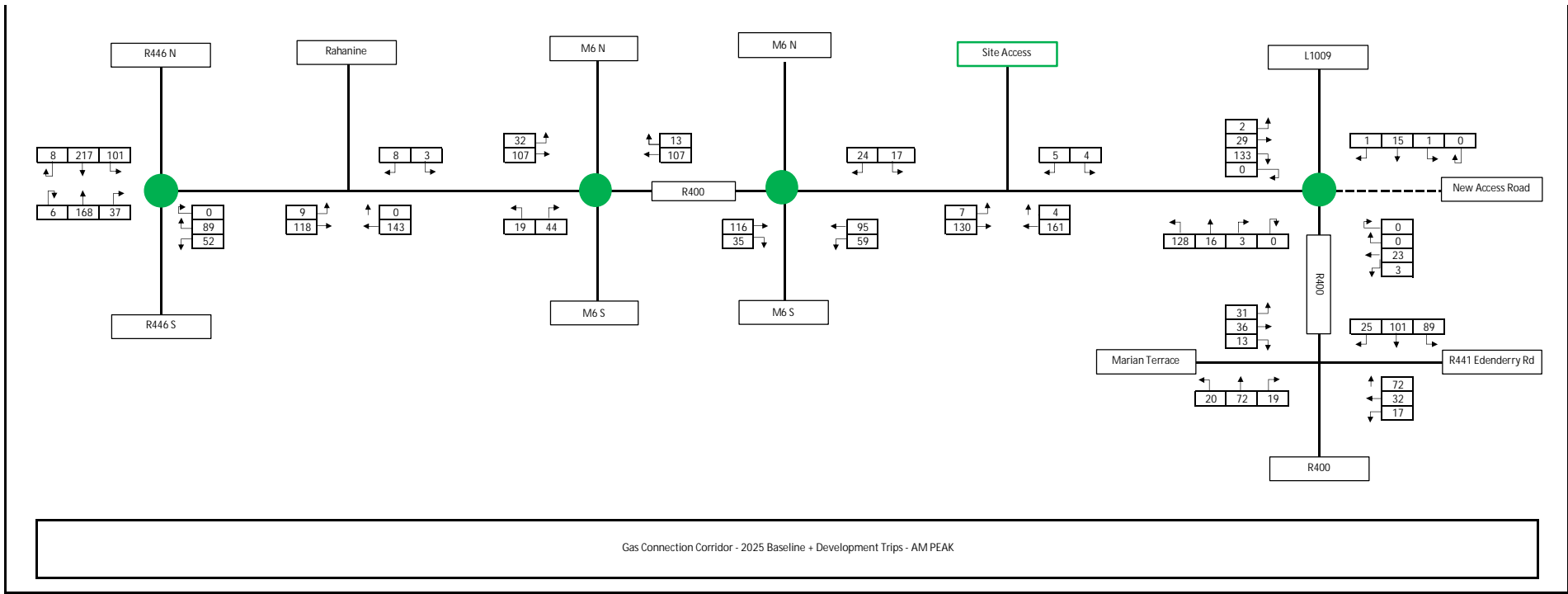


Power Plant Area - 2026 Baseline + Development Trips - PM PEAK

Gas Connection Corridor Trips







R446 N

Rahanine

M6 N

M6 N

Site Access

L1009

8 217 101

8 3

32 107

13 107

24 17

5 4

2 29 133 0

1 15 1 0

6 168 37

9 118

0 143

19 44

116 35

95 59

7 130

4 161

128 16 3 0

0 0 23 3

R446 S

M6 S

M6 S

R400

R400

R400

Marian Terrace

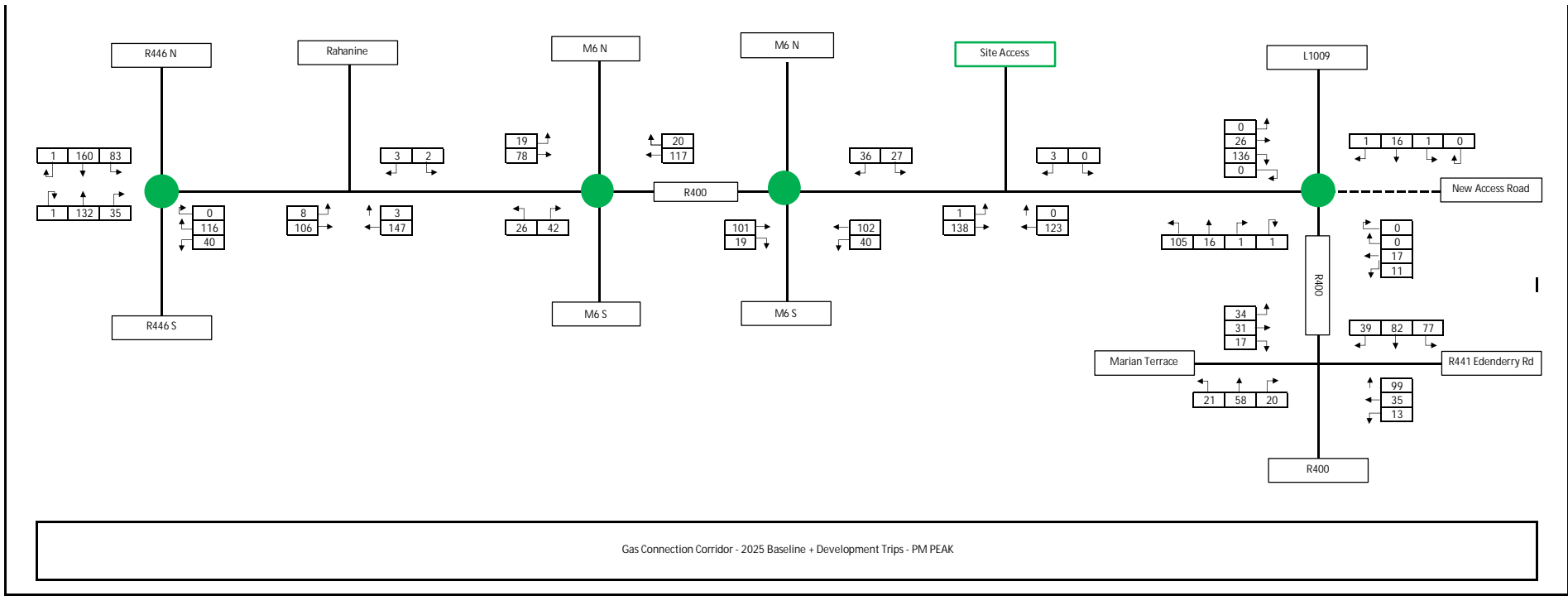
R441 Edenderry Rd

31 36 13

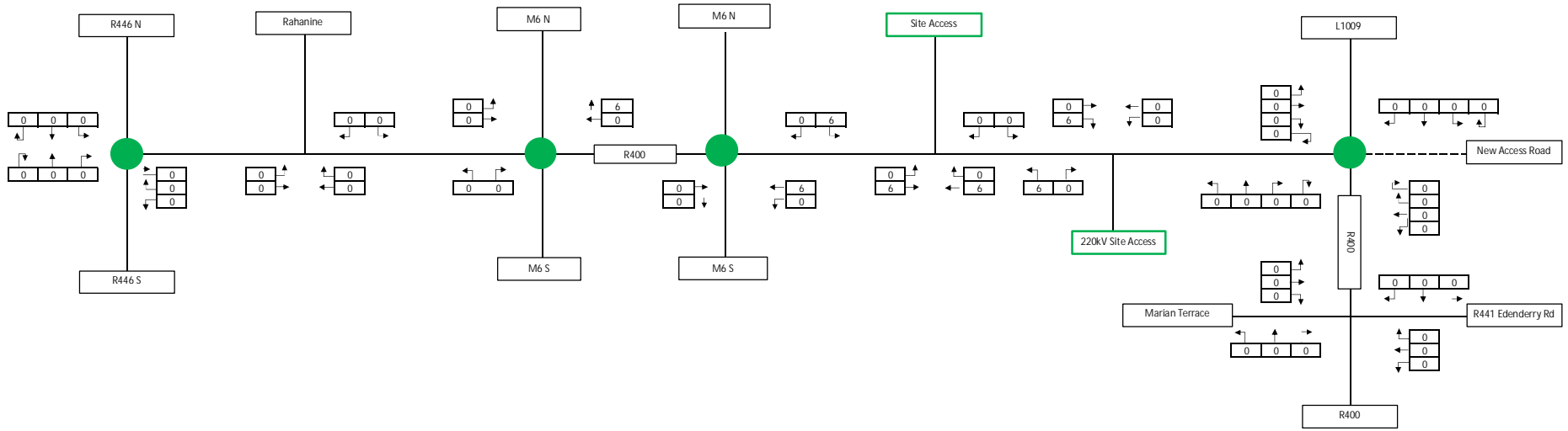
25 101 89

20 72 19

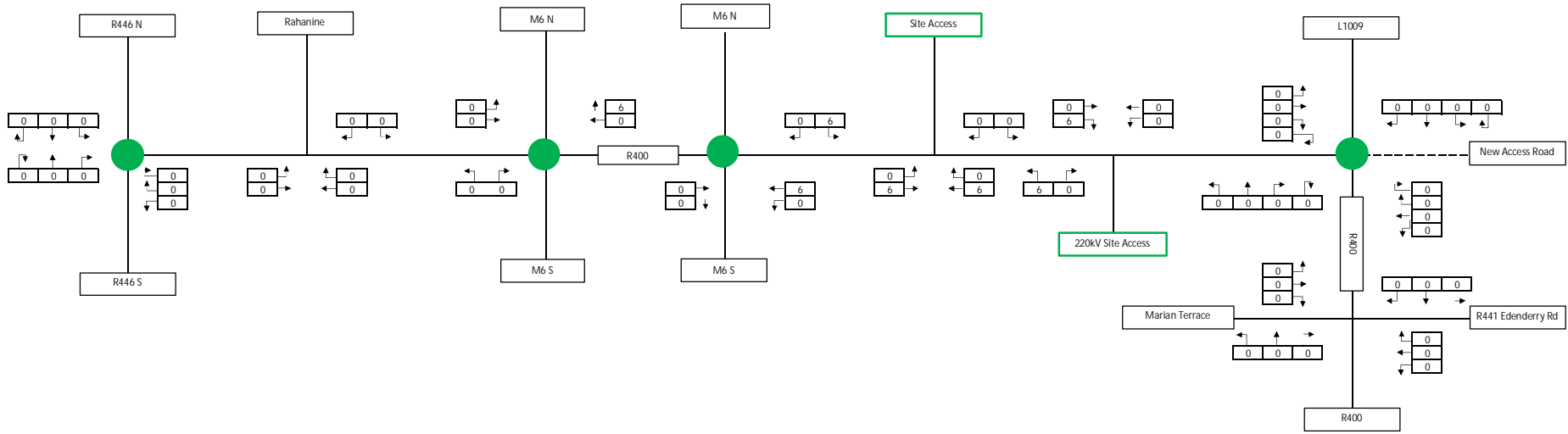
72 32 17



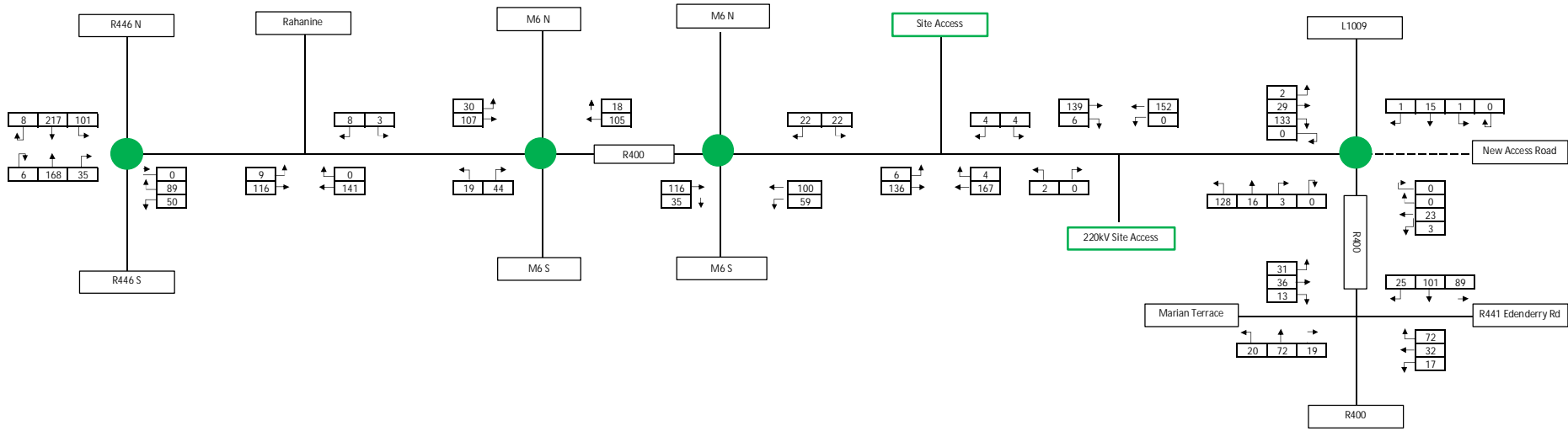
Electric Grid Connection - 220kV Station



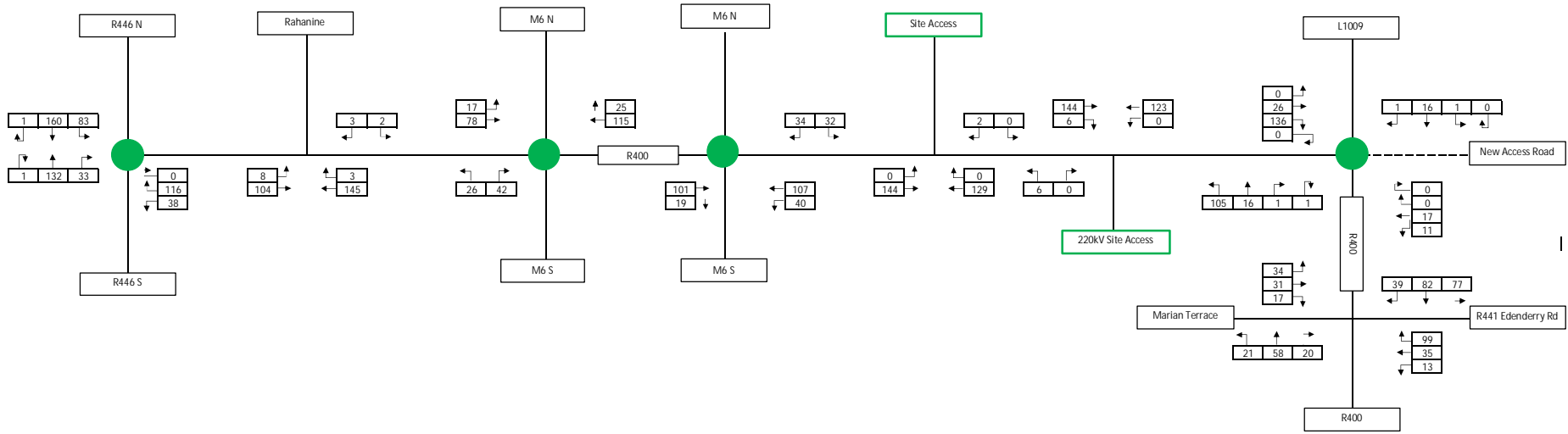
Electric Grid Connection - 220kV Station - Total Development Trips AM (LGV+HGV)



Electric Grid Connection - 220kV Station - Development Trips Total PM (LGV and HGV)

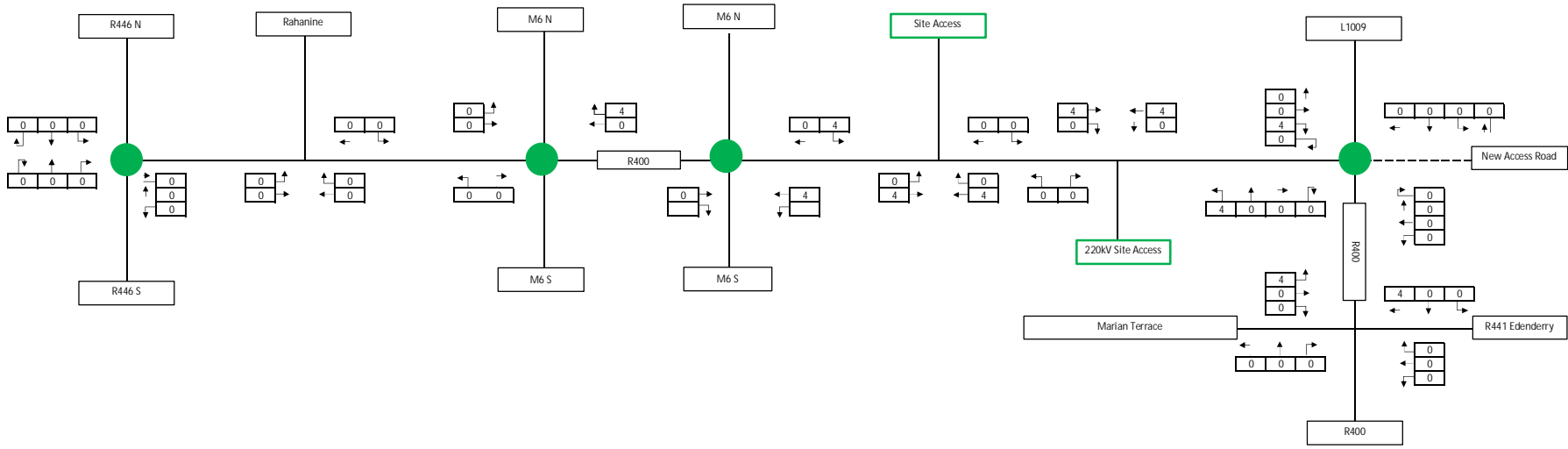


Electricity Grid Connection - 220kV Station - 2025 Baseline + Development Trips - AM PEAK

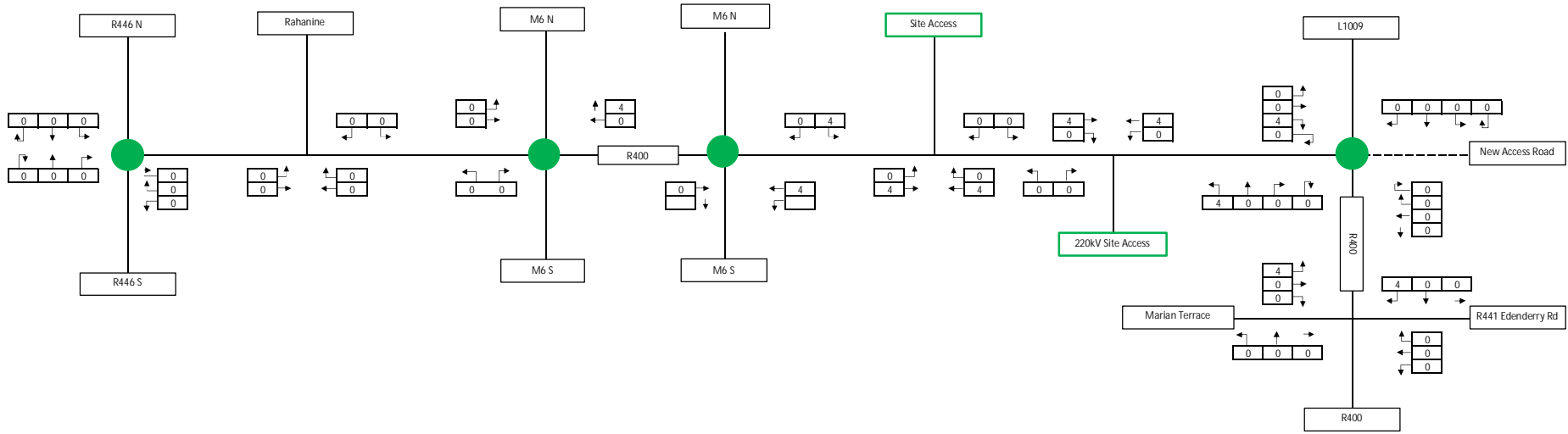


Electricity Grid Connection - 220kV Station - 2025 Baseline + Development Trips - PM PEAK

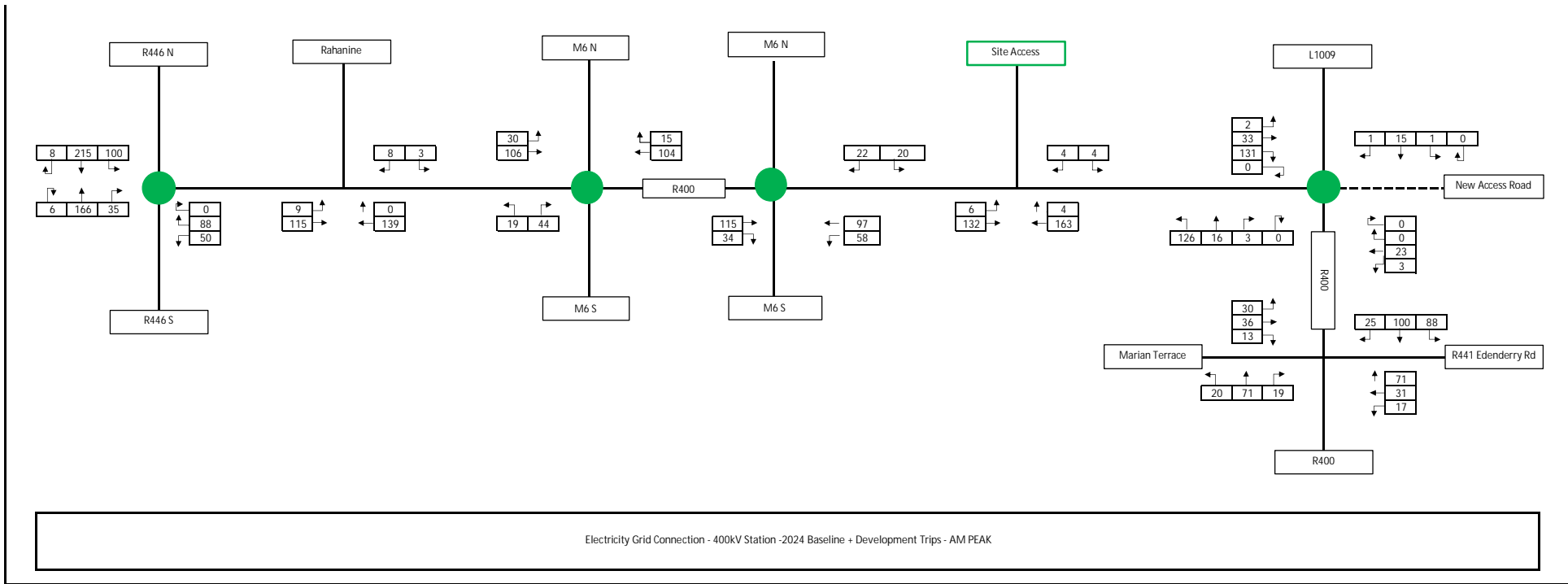
Electric Grid Connection - 400kV Station



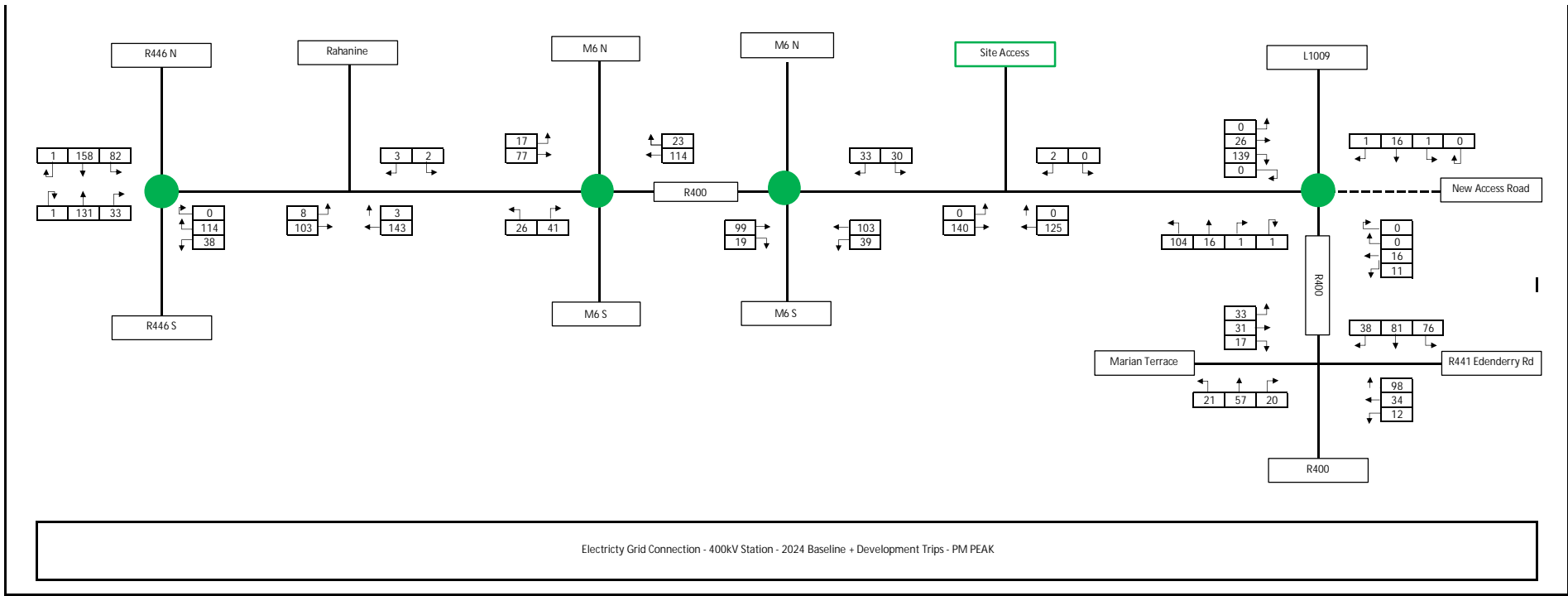
Electric Grid Connection - 400kV Station - Total Development Trips AM (LGV+HGV)



Electric Grid Connection - 400kV Station - Development Trips Total PM (LGV + HGV)



Electricity Grid Connection - 400kV Station -2024 Baseline + Development Trips - AM PEAK



R446 N

Rahanine

M6 N

M6 N

Site Access

L1009

1 158 82

3 2

17 77

23 114

33 30

2 0

0 26 139 0

1 16 1 0

1 131 33

0 114 38

8 103

3 143

26 41

99 19

103 39

0 140

0 125

104 16 1 1

0 0 16 11

R446 S

M6 S

M6 S

R400

New Access Road

Marian Terrace

33 31 17

38 81 76

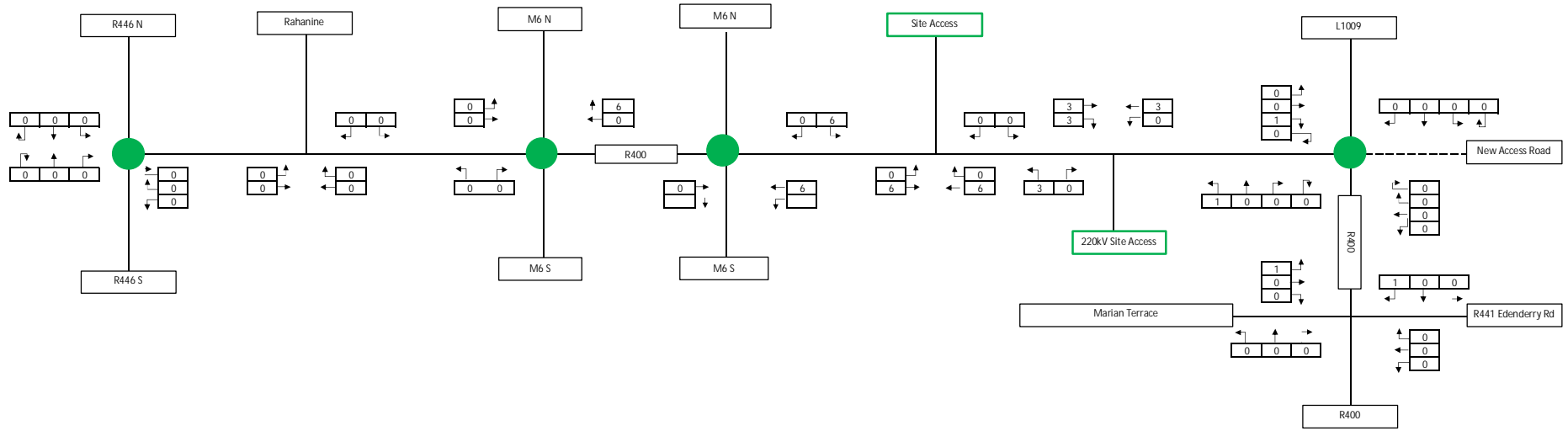
21 57 20

98 34 12

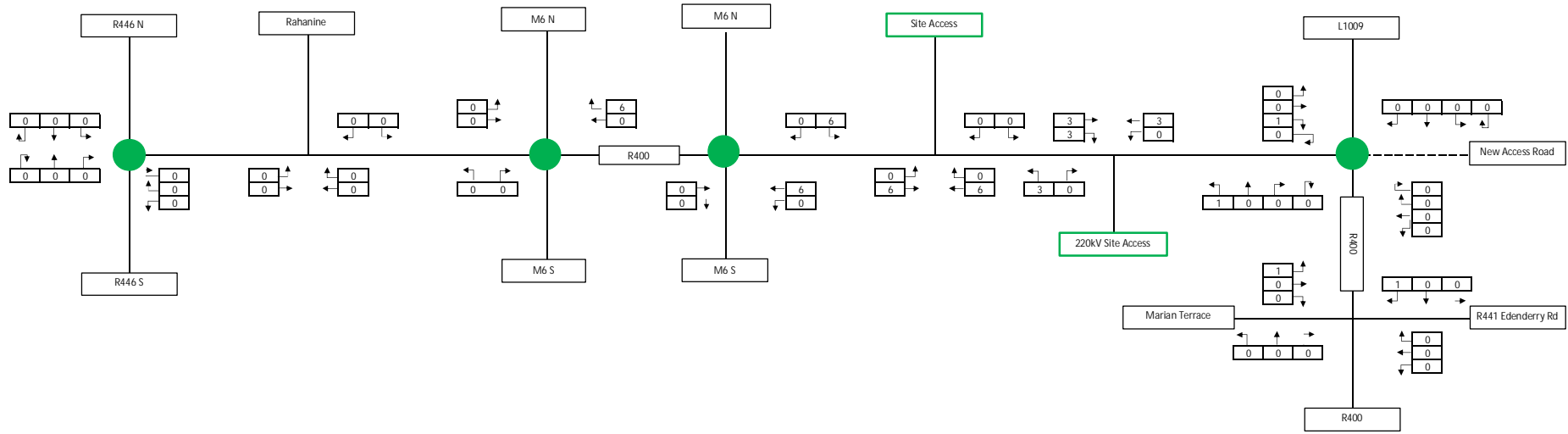
R400

R441 Edenderry Rd

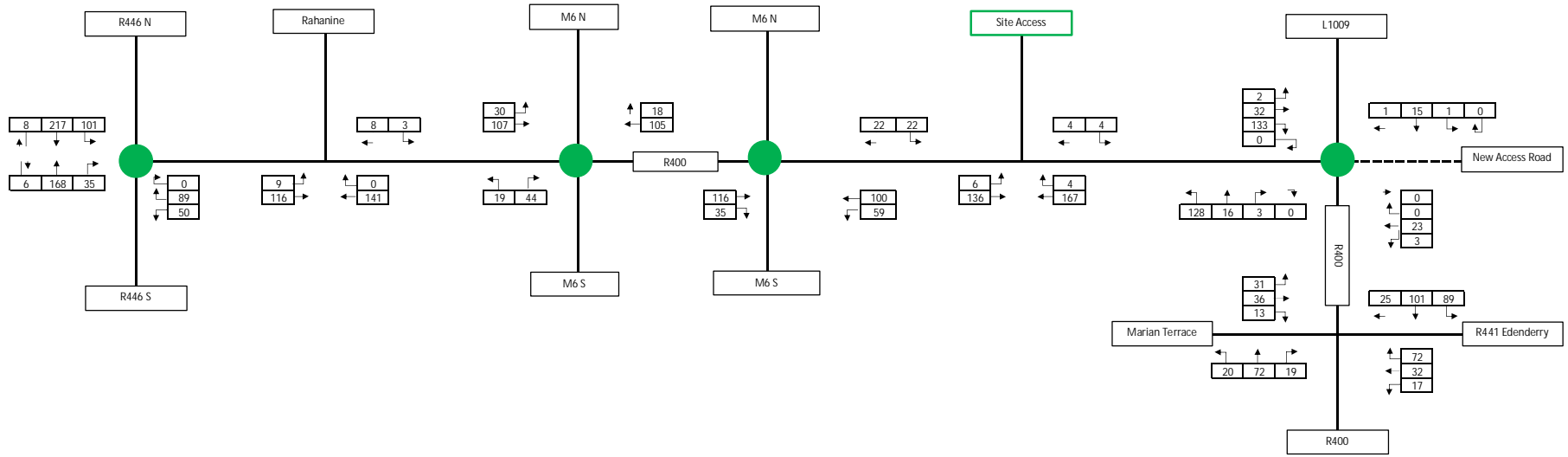
Electric Grid Connection - Grid Route



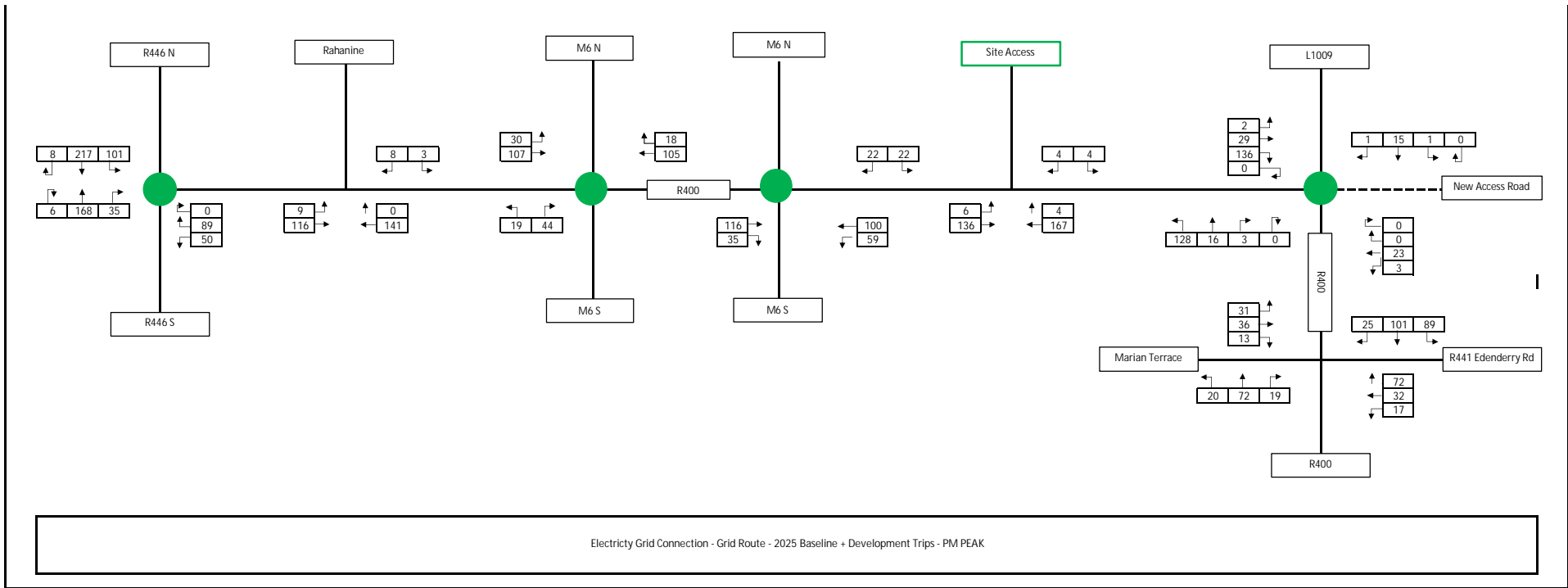
Electric Grid Connection - Grid Route - Total Development Trips AM (LGV+HGV) - Note that the Quarry access used for some deliveries is not shown. This is located between 220kV access and L1009/R400 Roundabout (Coolcor Roundabout)



Electric Grid Connection - Grid Route - Development Trips Total - Note that the Quarry access used for some deliveries is not shown. This is located between 220kV access and L1009/R400 Roundabout (Coolcor Roundabout)



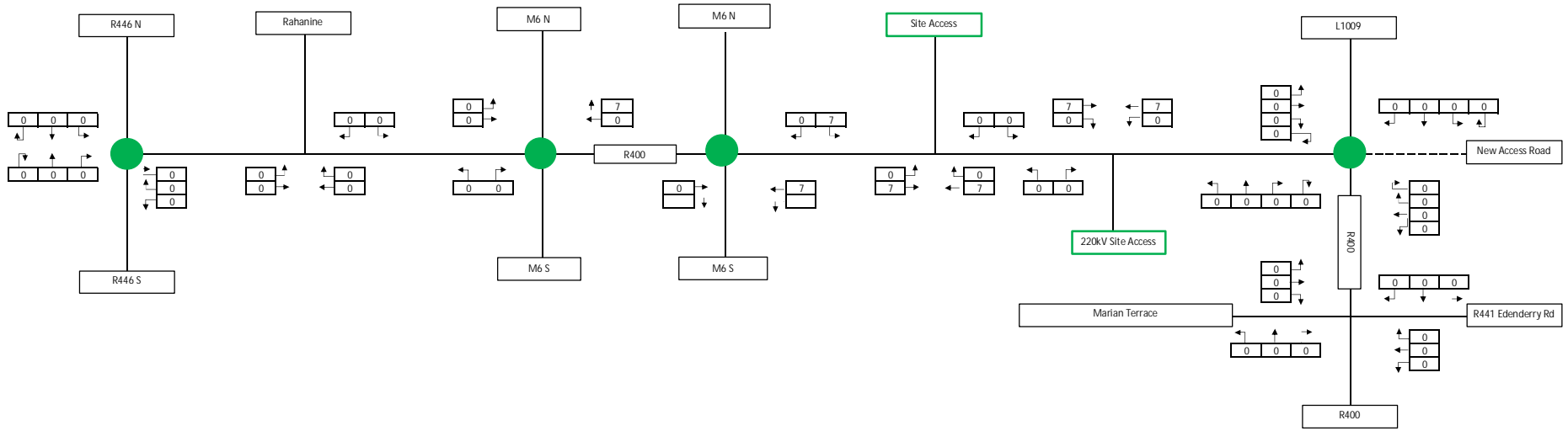
Electricity Grid Connection - Grid Route - 2025 Baseline + Development Trips - AM PEAK



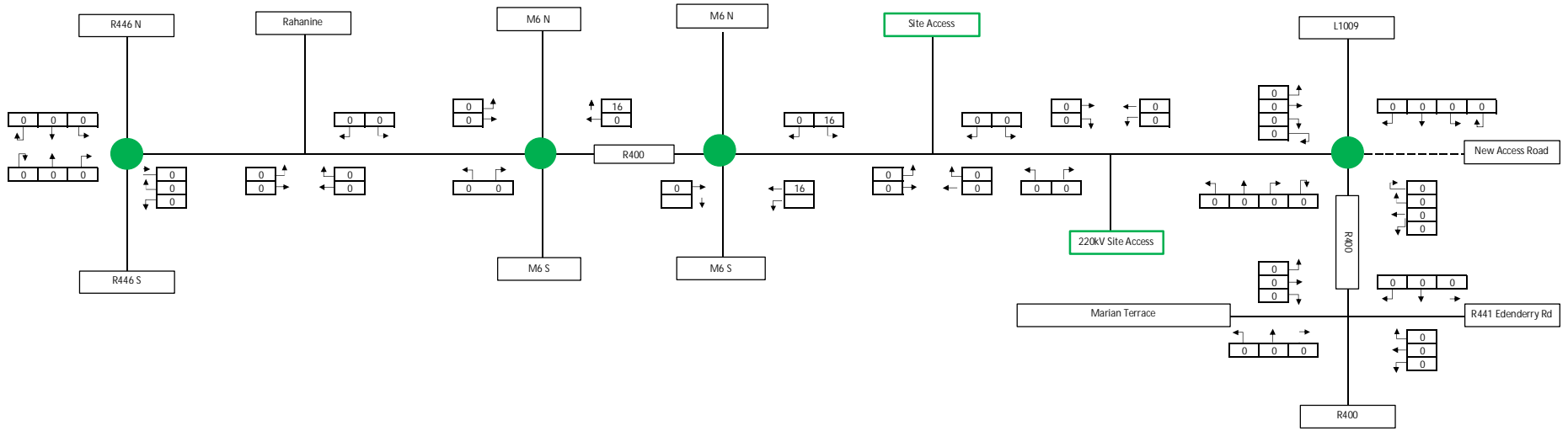
Electricity Grid Connection - Grid Route - 2025 Baseline + Development Trips - PM PEAK

Combined Impact Assessment

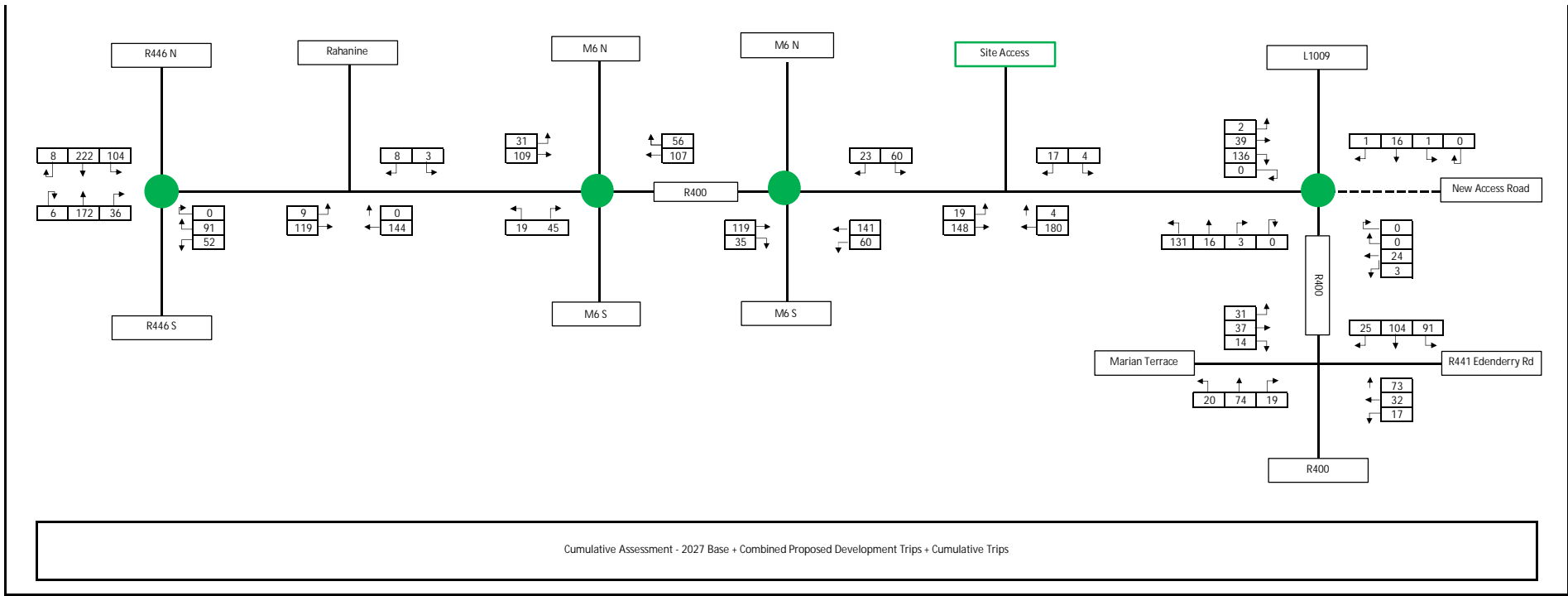
Cumulative Impact Assessment

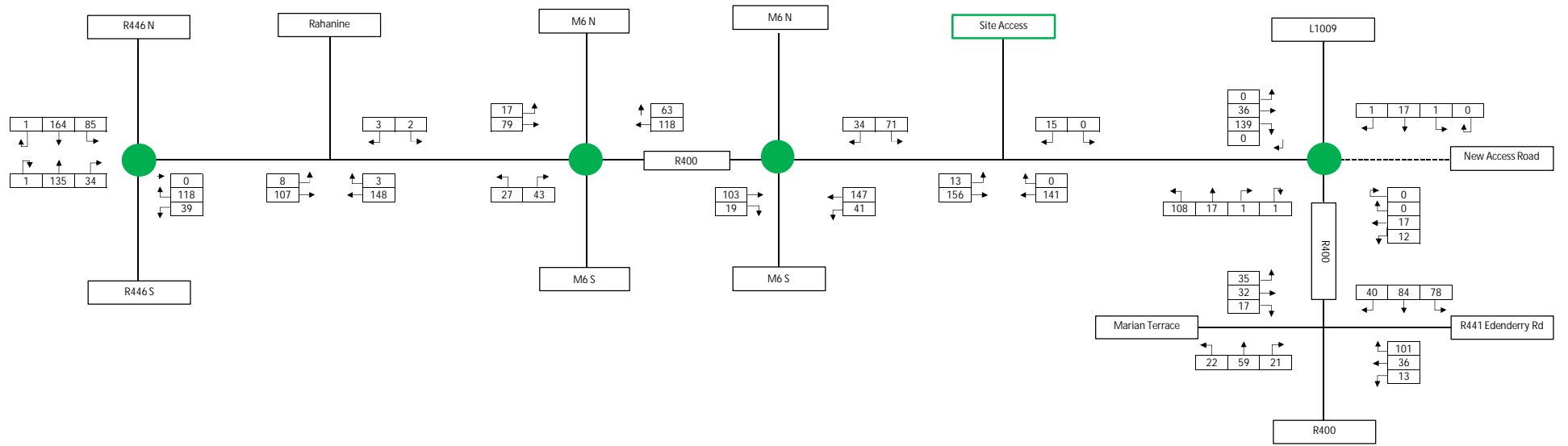


Cumulative Trips associated with application 22490



Cumulative Trips associated with application 2260051





Cumulative Assessment - 2027 Base + Combined Proposed Development Trips + Cumulative Trips