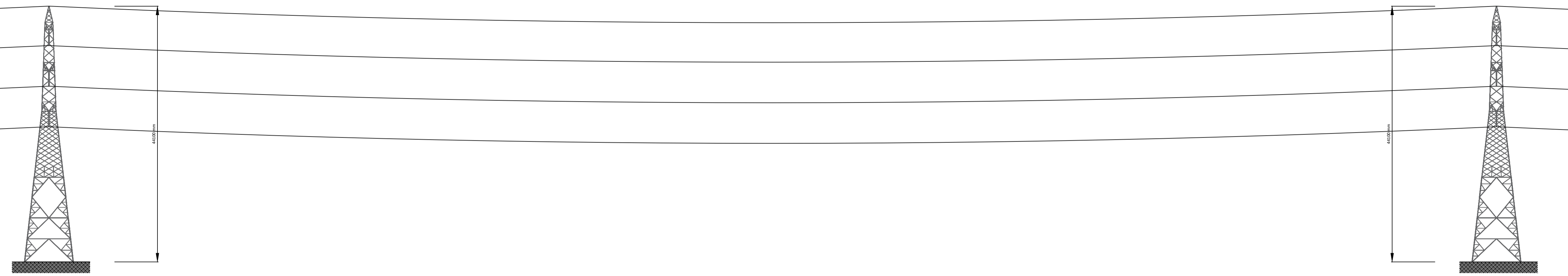
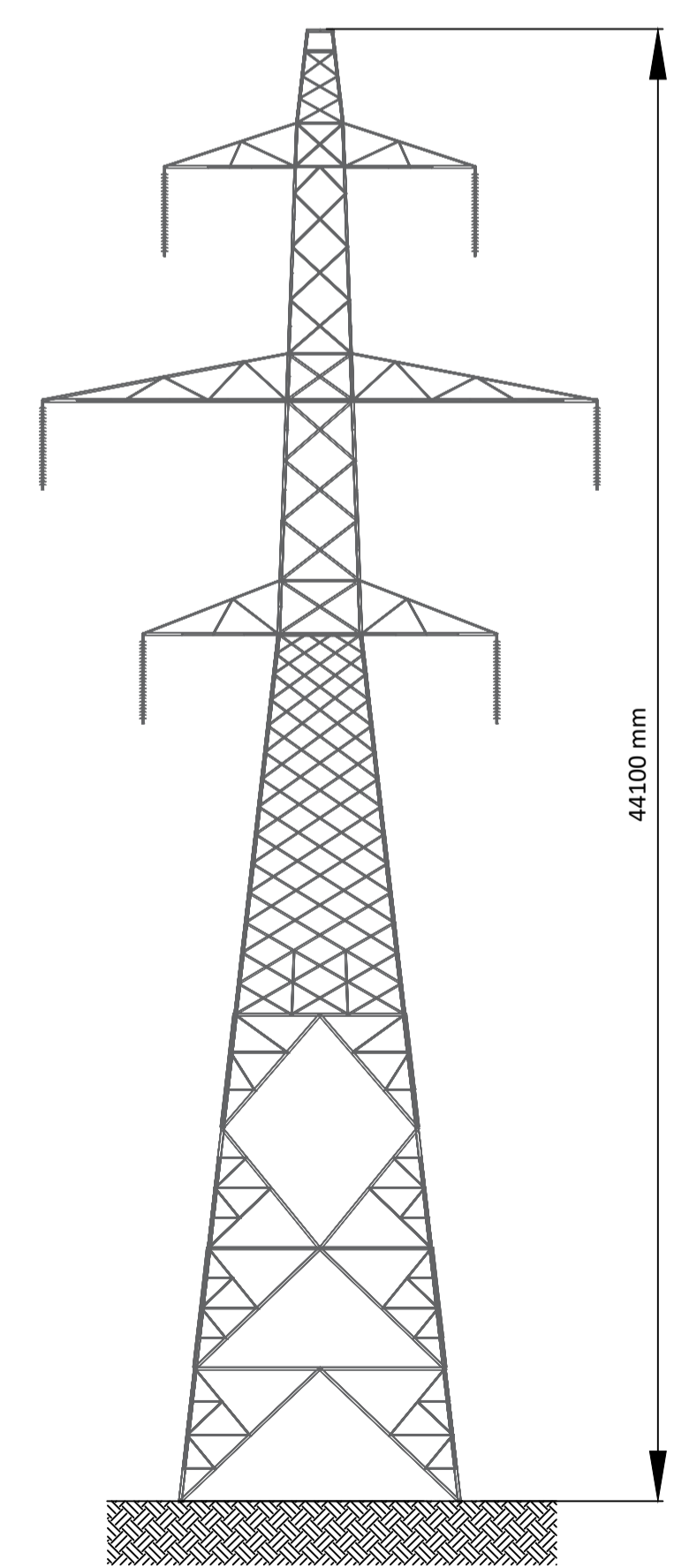


Notes:

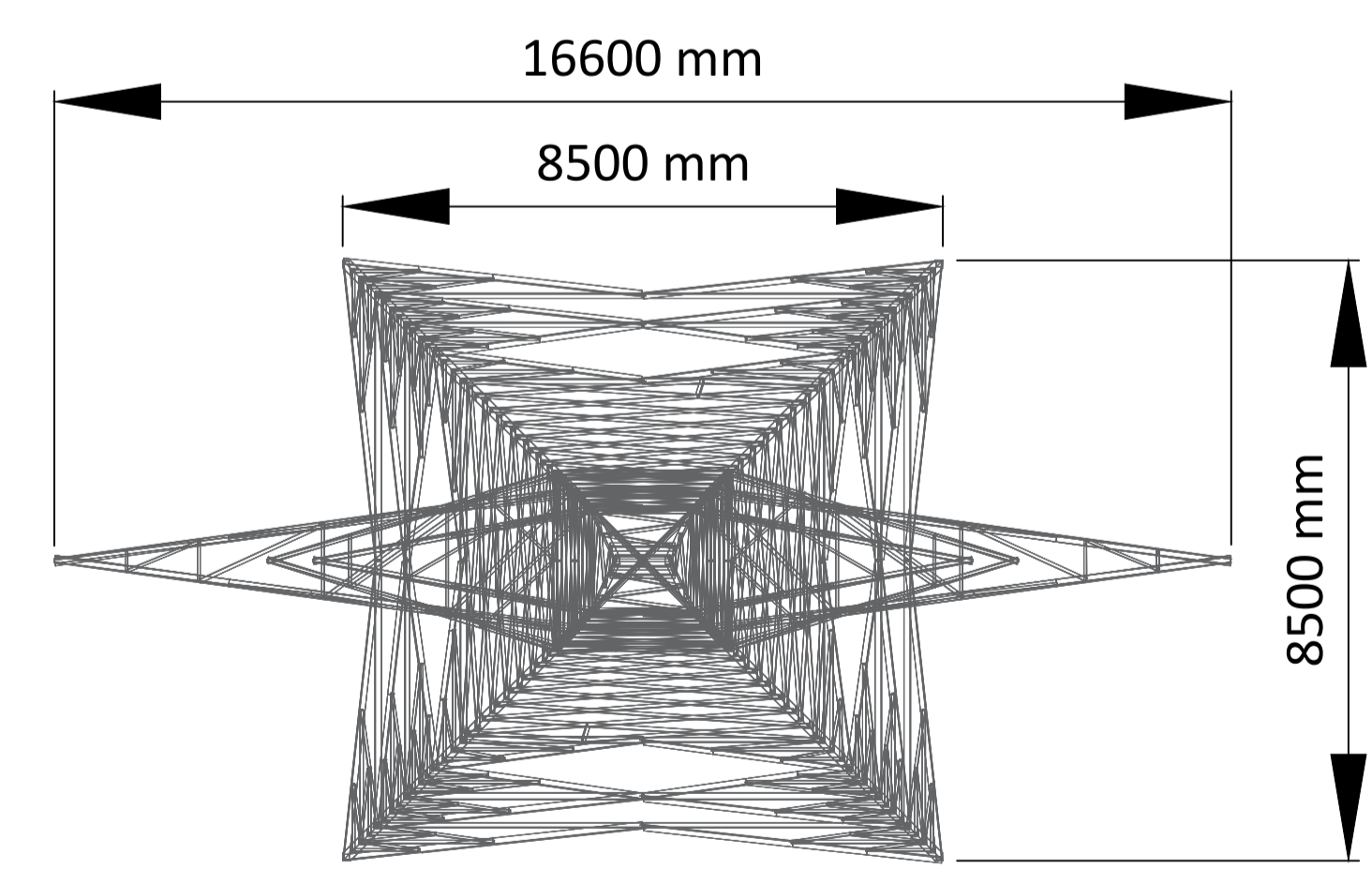
1. MEASUREMENTS SHOWN ARE IN MM, UNLESS INDICATED OTHERWISE
2. DRAWING FOR PLANNING PURPOSES ONLY
3. WHERE DRAWINGS ARE NOT TO SCALE, FIGURED DIMENSIONS SHALL BE USED ONLY
4. GROUND LEVELS VARY



TYPICAL ELEVATION OF OVERHEAD LINE SPAN
SCALE 1:400



FRONT ELEVATION
SCALE 1:200



PLAN VIEW
SCALE 1:100

**	**	**
**	**	**
**	**	**
**	**	**
00	ISSUED FOR PLANNING	20/11/23
Rev.	DESCRIPTION	DATE

Bord na Móna

Main St, Newbridge, Co. Kildare
Phone 045 439000
www.bnm.ie
Email: info@bnm.ie

© Copyright Bord na Móna Powergen Limited
"Copyright and ownership of this drawing is vested in Bord na Móna Powergen Limited, whose prior written consent is required for its use, reproduction or for publication to any third party. All rights reserved by the law of copyright and by international copyright conventions are reserved to Bord na Móna Powergen Limited and may be protected by court proceedings for damages and/or injunctions and costs."

Project **DERRYGREENAGH POWER**

Client **BORD NA MÓNA POWERGEN LIMITED**

Drawing Title **220 KV OVERHEAD LINE STRUCTURE**

Date	Scale (A1)	Drawn by	Checked by	Approved by
20/11/23	NTS	JMcD	PC	JMcD

Status	FOR APPROVAL	<input type="checkbox"/>	Dwg. No.
PLANNING	FOR CONSTRUCTION	<input checked="" type="checkbox"/>	BNM-DPS-E-1001
TENDER	AS BUILT	<input type="checkbox"/>	